



TAMA[®]

DRUMS AND HARDWARE
2024 General Catalog

50

TAMA[®]
1974 - 2024



**ELOY
CASAGRANDE**



**ROBERT SPUT
SEARIGHT**



**ANIKA
NILLES**

TAMA DRUM FESTIVAL
25.05.2024 | GUTENSTETTEN, GERMANY



**SIMON PHILLIPS &
PROTOCOL V**

**SIMON
GATTRINGER**

**SEBASTIAN
LANSER**

Informationen & Tickets unter:
www.tamadrumfestival.de

TABLE OF CONTENTS

50TH ANNIVERSARY

LIMITED PRODUCTS

MASTERCRAFT SNARE DRUMS	4-7
SUPERSTAR REISSUE	8
STARCLASSIC MIRAGE	9
IRON COBRA MARBLE	10-11
ACCESSORIES	12

TABLE OF CONTENTS

REGULAR PRODUCTS

STAR BUBINGA	14-15
STAR MAPLE	16-17
STAR WALNUT	18-19
STARCLASSIC MAPLE	20-25
STARCLASSIC WALNUT/BIRCH	26-29
STARCLASSIC PERFORMER	30-31
SUPERSTAR CLASSIC	32-37
IMPERIALSTAR	38-41
STAGESTAR	42
CLUB-JAM	43-44
CLUB-JAM MINI	45
CLUB-JAM PANCAKE	46
CLUB-JAM FLYER	47
COCKTAIL-JAM	48
TRUE TOUCH TRAINING KIT	50-51
PRACTICE TOOLS	52
SNARE DRUMS	53-60
CONCERT SNARE DRUMS	61-62
SIGNATURE PALETTE SNARE DRUMS	64-66
DRUM PEDALS	68-70
HI-HAT STANDS	72-73
DRUM THRONES	74-75
SNARE STANDS	76-77
CYMBAL STANDS	78-79
TOM STANDS & TOM HOLDERS	80-81
HARDWARE KITS	82-83
POWER TOWER SYSTEM	84
CLAMPS & ATTACHMENTS	85-87
MICROPHONE STANDS	89-91
ORIGINAL PERCUSSION	92-93
BAGS	94-96
ACCESSORIES	97-108
STICKS	109-112
MARCHING PERCUSSION	113-123





TAMA[®]



MASTERCRAFT "THE BELL BRASS"

In 1980, the TAMA Mastercraft Bell Brass snare drum was born. At the time, the Bell Brass was designed to match the explosive sounds of a new decade in music and delivered the purest snare sound ever achieved. Widely used in heavy rock music of the 80s and 90s, TAMA's Bell Brass snare drum came to simply be known as "THE TERMINATOR". As aggressive of a sound it produced, its versatility was unmatched as it found its way into the hands of the world's top Jazz & Fusion drummers of the era.

Now, nearly half a century later, the TAMA Mastercraft "The Bell Brass" 50th Anniversary Reissue pays tribute to this legendary sound. Featuring a special alloy of copper and tin and molded into a 3mm thick shell, this super heavy bell brass produces extreme volume and outstanding tonal range.

Faithfully reproduced to original specifications as much as modern technology allows, the Mastercraft "The Bell Brass" 50th Anniversary Reissue brings the iconic & timeless sound to drummers once again.



BB-156

- Shell: 3mm Cast Bell Brass
- Size: 14"x6.5"
- Lug: Original Superstar Lug (6371N)
- Hoop: Die-Cast Hoop (10 hole)
- Strainer/Butt: Roller Action (6302N/6303N/6338N)
- Snare Wire: 18 Strands Carbon Steel Long Snare Wires (6035N)
- Inside Muffler: One Touch Tone Control (6552N)
- Head: REMO® Ambassador Coated TAMA 50th Anniversary version



355mm diameter, 3mm Cast Bell Brass Shell



Die-Cast Hoop (10 hole)



18 Strands Carbon Steel Long Snare Wires (6035N)



Original Superstar Badge



One Touch Tone Control



REMO® Ambassador Coated
TAMA 50th Anniversary version





50TH LIMITED MASTERCRAFT ROSEWOOD

In the 1980s, TAMA's Mastercraft Rosewood Snare Drum was the first and only drum of its kind. As a hard and dense material, Rosewood is commonly used as guitar fretboards, and at the time was only found on drums as a single outer-ply veneer. Full Rosewood drums are extremely difficult to produce, but their pure sound and dark tone makes them extremely popular among drummers looking for a new sound. Not long after the original release of the Mastercraft Rosewood Snare Drum, the TAMA brand became synonymous with Rosewood. This 50th Anniversary Limited Edition model faithfully reproduces the sound of the past. Familiar to those who were there at the beginning, and an exciting new discovery to those who weren't.



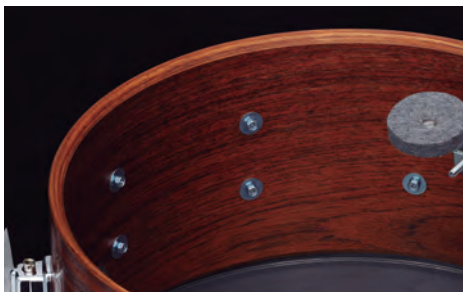
RW-256

Shell: 7.5mm 15ply Indian Rosewood
 Size: 14"x6.5"
 Lug: Original Superstar Lug (6371N)
 Hoop: Die-Cast Hoop (10 hole)
 Strainer/Butt: Roller Action (6302N/6303N/6338N)
 Snare Wire: 18 Strands Carbon Steel Long Snare Wires (6035N)
 Inside Muffler: One Touch Tone Control (6552N)
 Head: REMO® Ambassador Coated TAMA 50th Anniversary version



RW-255

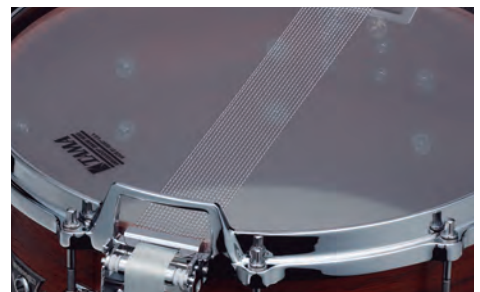
Shell: 7.5mm 15ply Indian Rosewood
 Size: 14"x5"
 Lug: Original Superstar Lug (6371N)
 Hoop: Die-Cast Hoop (10 hole)
 Strainer/Butt: Roller Action (6302N/6303N/6338N)
 Snare Wire: 18 Strands Carbon Steel Long Snare Wires (6035N)
 Inside Muffler: One Touch Tone Control (6552N)
 Head: REMO® Ambassador Coated TAMA 50th Anniversary version



7.5mm, 15ply All Indian Rosewood Shell



Die-Cast Hoop (10 hole)



18 Strands Carbon Steel Long Snare Wires (6035N)



One Touch Tone Control



Inside Muffler



REMO® Ambassador Coated
TAMA 50th Anniversary version



50TH LIMITED MASTERCRAFT ARTWOOD

Released in 1980, fans of the Mastercraft Artwood snare drum have eagerly awaited its reissue. Known for its obviously stunning looks, this snare drum is adorned with a beautifully stained multi-section center wood inlay. The 9mm/6ply all-Birch shell delivers significant low-mid tone and clear projection. For a detailed & sensitive snare response, the drum features TAMA's unique Roller Action Strainer, an innovative full-contact snare wire design that utilizes a single on/off lever & dual guide rollers for easy & versatile adjustment. This faithful reproduction of TAMA's original Mastercraft Artwood snare drum is an amazingly beautiful celebration of TAMA's 50th Anniversary.



AW-456

- Shell: 9mm 6ply Birch with center wood inlay
- Size: 14"x6.5"
- Lug: Original Superstar Lug (6371N)
- Hoop: Die-Cast Hoop (10 hole)
- Strainer/Butt: Roller Action (6302N/6303N/6338N)
- Snare Wire: 18 Strands Carbon Steel Long Snare Wires (6035N)
- Inside Muffler: One Touch Tone Control (6552N)
- Head: REMO® Ambassador Coated TAMA 50th Anniversary version



AW-455

- Shell: 9mm 6ply Birch with center wood inlay
- Size: 14"x5"
- Lug: Original Superstar Lug (6371N)
- Hoop: Die-Cast Hoop (10 hole)
- Strainer/Butt: Roller Action (6302N/6303N/6338N)
- Snare Wire: 18 Strands Carbon Steel Long Snare Wires (6035N)
- Inside Muffler: One Touch Tone Control (6552N)
- Head: REMO® Ambassador Coated TAMA 50th Anniversary version



9mm, 6ply All Birch Shell



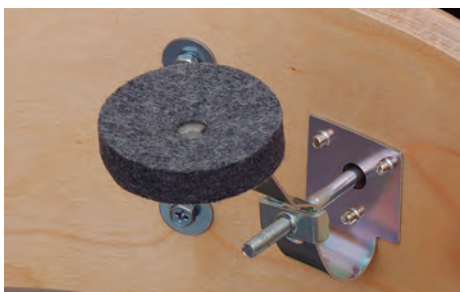
Die-Cast Hoop (10 hole)



18 Strands Carbon Steel Long Snare Wires (6035N)



One Touch Tone Control



Inside Muffler



**REMO® Ambassador Coated
TAMA 50th Anniversary Version**



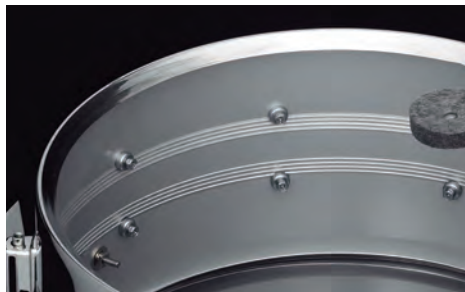
50TH LIMITED MASTERCRAFT STEEL

Popular amongst vintage drum lovers, the Mastercraft Steel Snare Drum features a classic chrome finish and center groove design for a distinct and understated look. This 50th Anniversary Reissue model features a 1.2mm steel shell and die-cast hoops producing a clean, bright attack with clear and crisp resonance. Complete with full-surface snare wires for enhanced articulation, the Mastercraft Steel 50th Anniversary Reissue Snare Drum perfectly delivers the sound of the 80s.



8056

- Shell: 1.2mm Steel
- Size: 14"x6.5"
- Lug: Original Superstar Lug (6371N)
- Hoop: Die-Cast Hoop (10 hole)
- Strainer/Butt: Roller Action (6302N/6303N/6338N)
- Snare Wire: 18 Strands Carbon Steel Long Snare Wires (6035N)
- Inside Muffler: One Touch Tone Control (6552N)
- Head: REMO® Ambassador Coated TAMA 50th Anniversary version



1.2mm Steel Shell



Die-Cast Hoop (10 hole)



18 Strands Carbon Steel Long Snare Wires (6035N)



50 LIMITED SUPERSTAR REISSUE



For more Information:



Released just 2 years after the birth of the TAMA brand, Superstar drums were dynamic and powerful, laying the groundwork for the future of TAMA's sound. Now, almost 50 years later, the original Superstar drums have been revived as a Limited Edition model to celebrate the 50th Anniversary of TAMA Drums. Superstar was the world's first drum kit to utilize an all-Birch shell, producing the perfect sound for the emerging genres of the time - a sound that captivated the top drummers in the world. The groundbreaking 6-ply/9mm shell design was crucial to Superstar's monumental success. Thicker than modern drums, these shells achieved powerful attack and deep low end. Honoring TAMA's 50th Anniversary, the original shells, period correct shell hardware, and matching interior finish deliver a faithful reproduction of the original Superstar. Available in 4 popular original colors: Aqua Marine, Cherry Wine, Super Mahogany, and Super Maple. After 50 years, we celebrate the origin of TAMA's sound with the Superstar Reissue.



COLOR Aqua Marine (AQM)

SU42RS basic kit

- Including
- 22"x14" Bass Drum
- 10"x8" & 12"x8" Tom Toms
- 16"x16" Floor Tom
- MTH800 Double Tom Holder



Shell: 6ply/9.0mm All Birch



Original Superstar Badge



REMO® Head

AVAILABLE FINISHES



Aqua Marine (AQM)



Super Maple (SPM)



Super Mahogany (SMH)



Cherry Wine (CHW)



LIMITED STARCLASSIC MIRAGE

For more Information:



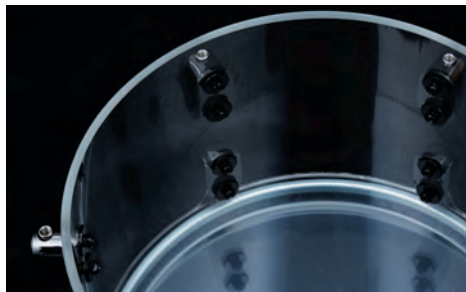
Since the 1970s, acrylic drums have been sought after for their unique sound and sleek look. Over the last two decades, TAMA has released limited edition acrylic drum kits of our own, starting with the Starclassic Mirage in 2007. To commemorate TAMA's beginnings, the Starclassic Mirage will return as a limited edition 50th Anniversary model. Characterized by strong attack and thunderous tone, Starclassic Mirage's seamless acrylic shells delivers unmatched sound and stunning looks. In addition to its controlled, punchy, and rich sound, acrylic remains unaffected by changing climates, making it perfect for use in any environment. The darker black nickel shell hardware perfectly complements the clear shells, ensuring that audiences and drummers alike will be instantly captivated by their stage presence.



COLOR Crystal Ice (CI)

MBA52RZBNS basic kit

- Including
- 22"x16" Bass Drum
- 10"x7" & 12"x8" Tom Toms
- 14"x12" Floor Tom
- 16"x14" Floor Tom
- MC69 Single Tom Attachment x 2



Shell:
BD: 7.5mm Seamless Acrylic
TT, FT: 5.5mm Seamless Acrylic



Black Nickel Shell Hardware



ADD-ON SNARE DRUM



MBAS65BN

Shell: 5.5mm Seamless Acrylic
Size: 14"x6.5"
Lug: MSL-SCTBN
Hoop: Die Cast Hoops (10 hole)
Strainer/Butt: MLS30ABN/MLS30BBN
Snare Wire: 20 Strands Super Sensitive Hi-Carbon Snare Wires (MS20RL14C)
Color: Crystal Ice (CI)



HP900PMCS / HP900PWMCS / HP900RMCS / HP900RWMCS

Since its release in 1993, the Iron Cobra has been the world's most highly rated pedal. At the core of the Iron Cobra series sits originality, and an unwavering commitment to constant innovation and evolution. With numerous limited edition models over the last two decades, this 50th Anniversary Limited Edition model serves as a special celebration of the Iron Cobra's long and storied history. Featuring two colorful designs, Coral Swirl and Psychedelic Rainbow, the Iron Cobra Marble Edition pedals are visually stunning, yet again setting the Iron Cobra apart from all others in its class.



HP900PMCS
Power Glide Single Pedal



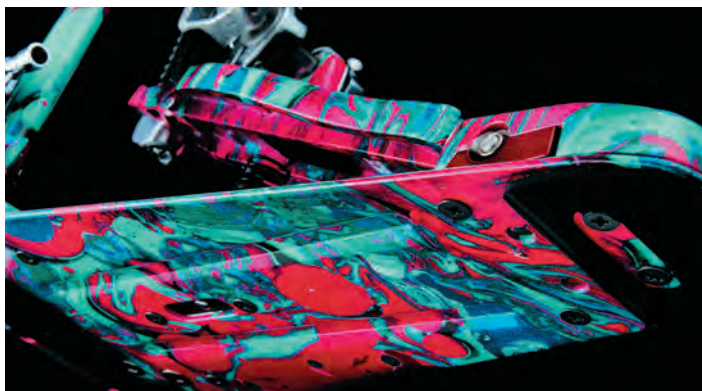
HP900PWMCS
Power Glide Twin Pedal



HP900RMCS
Rolling Glide Single Pedal



HP900RWMCS
Rolling Glide Twin Pedal



HP900MPR / HP900PWMPR / HP900RMPR / HP900RWMPR

Since its release in 1993, the Iron Cobra has been the world's most highly rated pedal. At the core of the Iron Cobra series sits originality, and an unwavering commitment to constant innovation and evolution. With numerous limited edition models over the last two decades, this 50th Anniversary Limited Edition model serves as a special celebration of the Iron Cobra's long and storied history. Featuring two colorful designs, Coral Swirl and Psychedelic Rainbow, the Iron Cobra Marble Edition pedals are visually stunning, yet again setting the Iron Cobra apart from all others in its class.



HP900MPR
Power Glide Single Pedal



HP900PWMPR
Power Glide Twin Pedal



HP900RMPR
Rolling Glide Single Pedal



HP900RWMPR
Rolling Glide Twin Pedal





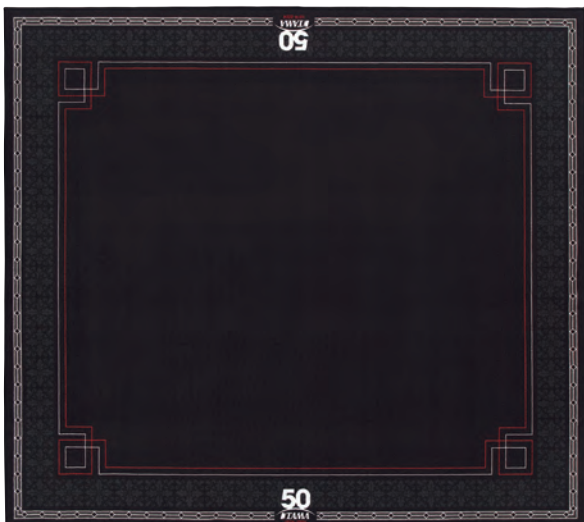
50TH LIMITED QUICK-SET CYMBAL MATE - QC8

TAMA's best-selling Quick-Set Cymbal Mate is available in three vibrant 50th Anniversary Limited Edition colors - Gray, Orange, and Purple.



*Only 4pcs/set is available

50TH LIMITED DRUM RUG



TDR-50TH

A drum rug is an essential item for every drummer. This limited edition rug celebrates TAMA's 50th Anniversary and features an original and classy 50th Anniversary design.

Size: 2,000mm x 1,800mm (78 3/4" x 70 7/8")



50TH LIMITED DRUMSTICKS

Available as a 50th Anniversary Limited Edition model, TAMA releases a drumstick made from 100% Japanese Oak. With over 60 years of history, TAMA drumsticks date back to the brand's earliest years, and have remained popular amongst drummers around the world for their high-end and consistent quality.



5A-50TH

Material: Japanese Oak
 Diameter: 14mm
 Length: 406mm
 Tip Style: 5A



5B-50TH

Material: Japanese Oak
 Diameter: 15mm
 Length: 406mm
 Tip Style: 5B



7A-50TH

Material: Japanese Oak
 Diameter: 13mm
 Length: 390mm
 Tip Style: 7A





TAMA

Starclassic

STAR BUBINGA

Lacquer Finishes

STAR is the flagship line for TAMA drums. It takes the knowledge and research we cultivated for the Starclassic series to the next level, by reexamining every detail to enhance shell resonance. STAR Bubinga features a thin 5mm shell. Every shell comes equipped with 9mm thick Sound Focus Rings (SFR) for structural support. This shell configuration provides clear projection and resonance to highlight the distinct sound of Bubinga.

For more information:



COLOR Pewter Blue Australian Acacia **PBA**

including:
22"x16" Bass Drum
8"x6" Tom Tom
10"x7" Tom Tom
12"x8" Tom Tom
14"x12" Floor Tom
16"x14" Floor Tom
14"x6.5" Snare Drum



COLOR Solid Candy Red **SDR**

including:
20"x16" Bass Drum
8"x7" Tom Tom
10"x7" Tom Tom
12"x7" Tom Tom
13"x7.5" Tom Tom
14"x12" Floor Tom
16"x14" Floor Tom
14"x6.5" Snare Drum

INDIVIDUAL MODEL NUMBERS

Diameter	Depth	Model No.
Bass Drums		
16"	12"	TBB1612S
18"	14"	TBB1814S
18"	15"	TBB1815S
18"	16"	TBB1816S
20"	14"	TBB2014S
20"	16"	TBB2016S
20"	17"	TBB2017S
20"	18"	TBB2018S
22"	14"	TBB2214S
22"	16"	TBB2216S
22"	17"	TBB2217S
22"	18"	TBB2218S
24"	14"	TBB2414S
24"	16"	TBB2416S
24"	17"	TBB2417S
24"	18"	TBB2418S
26"	14"	TBB2614S
26"	16"	TBB2616S
Floor Toms		
13"	12"	TBF1312S
14"	12"	TBF1412S
14"	13"	TBF1413S
14"	14"	TBF1414S
15"	13"	TBF1513S
15"	14"	TBF1514S
15"	15"	TBF1515S
16"	14"	TBF1614S
16"	15"	TBF1615S
16"	16"	TBF1616S
18"	14"	TBF1814S
18"	15"	TBF1815S
18"	16"	TBF1816S

Diameter	Depth	Model No.
Tom Toms		
8"	6"	TBT0806S
8"	7"	TBT0807S
8"	8"	TBT0808S
10"	6.5"	TBT1065S
10"	7"	TBT1007S
10"	8"	TBT1008S
10"	9"	TBT1009S
10"	10"	TBT1010S
12"	7"	TBT1207S
12"	8"	TBT1208S
12"	9"	TBT1209S
12"	10"	TBT1210S
12"	11"	TBT1211S
13"	7.5"	TBT1375S
13"	9"	TBT1309S
13"	10"	TBT1310S
13"	11"	TBT1311S
13"	12"	TBT1312S
14"	8"	TBT1408S
14"	10"	TBT1410S
14"	11"	TBT1411S
14"	12"	TBT1412S
14"	13"	TBT1413S
Snare Drums		
13"	6"	TBS136S
14"	5.5"	TBS1455S
14"	6.5"	TBS1465S
14"	8"	TBS148S

*Please ask price for "outside & inside inlay" option.

SPECIFICATIONS

Shells

5mm, 5ply Bubinga + 1 inner ply Cordia with 9mm Sound Focus Rings
 (LNT) 5mm, 4ply Bubinga + 1 outer ply Indian Laurel + 1 inner ply Cordia with 9mm Sound Focus Rings
 (CDKG/CDKR) 5mm, 4ply Bubinga + 1 outer & 1 inner ply Cordia with 9mm Sound Focus Rings
 (SAC) 5mm, 4mm Bubinga + 1 outer ply Australian Acacia + 1 inner ply Cordia with 9mm Sound Focus Ring

STAR Bearing Edges

Super Resonant Mounting System

Quick-Lock Tom Brackets

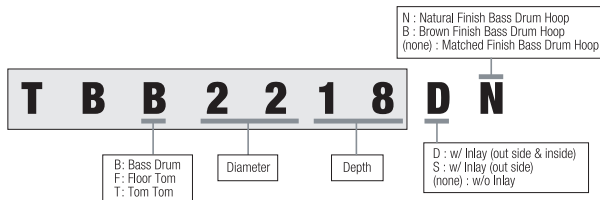
Minimum Shell Contact

STAR Floor Tom Legs

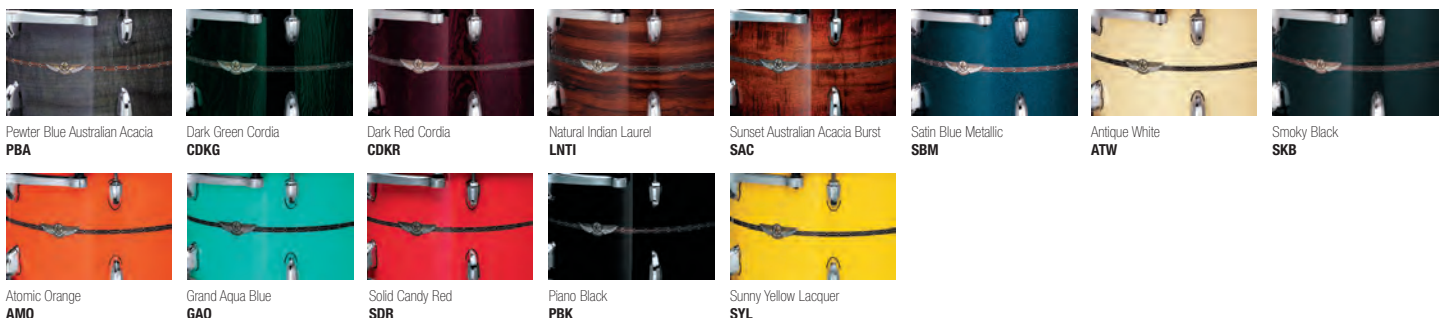
Hold Tight™ Washers

Remo® Drum Heads

MODEL NUMBER SYSTEM - Individual Drums



FINISHES (Lacquer)



STAR MAPLE

Lacquer Finishes

STAR is the flagship line for TAMA drums. It takes the knowledge and research we cultivated for the Starclassic series to the next level, by reexamining every detail to enhance shell resonance. STAR Maple shell's "Solid Core Ply" is a totally new design for this series. This unique shell provides the warm, open tone of Maple, combined with the rich, hearty sound of a solid ply shell with a 9mm Sound Focus ring.

For more Information:



COLOR Emerald Sea Curly Maple Burst RECB

including:
22"x16" Bass Drum
8"x6" Tom Tom
10"x7" Tom Tom
12"x8" Tom Tom
14"x14" Floor Tom
16"x16" Floor Tom
14"x6.5" Snare Drum



COLOR Gloss Natural Curly Maple RBCM

including:
22"x16" Bass Drum
8"x6" Tom Tom
10"x7" Tom Tom
12"x8" Tom Tom
14"x14" Floor Tom
16"x16" Floor Tom
14"x6.5" Snare Drum

INDIVIDUAL MODEL NUMBERS

Diameter	Depth	Model No.
Bass Drums		
16"	12"	TMB1612S
18"	14"	TMB1814S
18"	15"	TMB1815S
18"	16"	TMB1816S
20"	14"	TMB2014S
20"	16"	TMB2016S
20"	17"	TMB2017S
20"	18"	TMB2018S
22"	14"	TMB2214S
22"	16"	TMB2216S
22"	17"	TMB2217S
22"	18"	TMB2218S
24"	14"	TMB2414S
24"	16"	TMB2416S
24"	17"	TMB2417S
24"	18"	TMB2418S
26"	14"	TMB2614S
26"	16"	TMB2616S
Floor Toms		
13"	12"	TMF1312S
14"	12"	TMF1412S
14"	13"	TMF1413S
14"	14"	TMF1414S
15"	13"	TMF1513S
15"	14"	TMF1514S
15"	15"	TMF1515S
16"	14"	TMF1614S
16"	15"	TMF1615S
16"	16"	TMF1616S
18"	14"	TMF1814S
18"	15"	TMF1815S
18"	16"	TMF1816S

Diameter	Depth	Model No.
Tom Toms		
8"	6"	TMT0806S
8"	7"	TMT0807S
8"	8"	TMT0808S
10"	6.5"	TMT1065S
10"	7"	TMT1007S
10"	8"	TMT1008S
10"	9"	TMT1009S
10"	10"	TMT1010S
12"	7"	TMT1207S
12"	8"	TMT1208S
12"	9"	TMT1209S
12"	10"	TMT1210S
12"	11"	TMT1211S
13"	7.5"	TMT1375S
13"	9"	TMT1309S
13"	10"	TMT1310S
13"	11"	TMT1311S
13"	12"	TMT1312S
14"	8"	TMT1408S
14"	10"	TMT1410S
14"	11"	TMT1411S
14"	12"	TMT1412S
14"	13"	TMT1413S
Snare Drums		
13"	6"	TMS136S
14"	5.5"	TMS1455S
14"	6.5"	TMS1465S
14"	8"	TMS148S

*Please ask price for "outside & inside inlay" option.

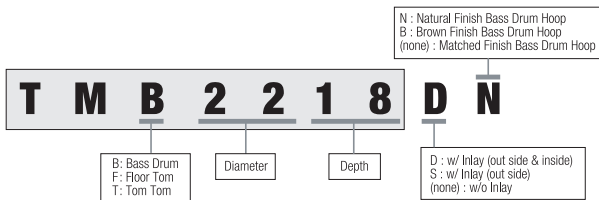
SPECIFICATIONS

Shells

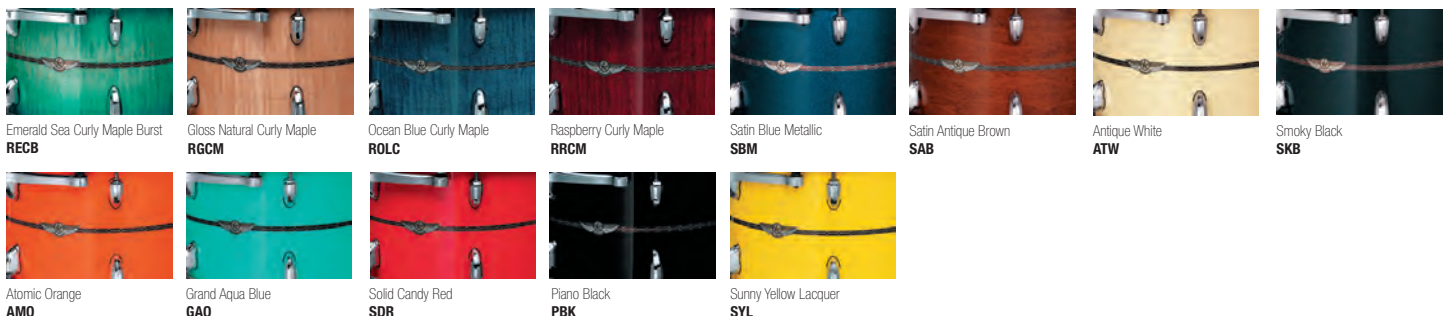
5mm, 5ply Maple with 5mm Sound Focus Rings
 (RGCM/ROLC/RRCM/RECB) 5mm, 5ply Maple +1 outer ply Curly Maple with 5mm Sound Focus Rings

- STAR Bearing Edges
- Super Resonant Mounting System
- Quick-Lock Tom Brackets
- Minimum Shell Contact
- STAR Floor Tom Legs
- Hold Tight™ Washers
- Remo® Drum Heads

MODEL NUMBER SYSTEM - Individual Drums



FINISHES (Lacquer)



STAR WALNUT

Lacquer Finishes

STAR is the flagship line for TAMA drums. It takes the knowledge and research we cultivated for the Starclassic series to the next level, by reexamining every detail to enhance shell resonance. Walnut has long been favored by furniture makers for both its beauty and durability. As a drum shell material, Walnut's naturally EQ'ed tone has been praised by the drum community for both the stage and the studio. The STAR Walnut shells project booming low end with enough cut to be heard through any mix.

For more Information:



COLOR Antique White Japanese Chestnut

TW42RZS basic kit

including:
22"x16" Bass Drum
10"x7" Tom Tom
12"x8" Tom Tom
16"x16" Floor Tom

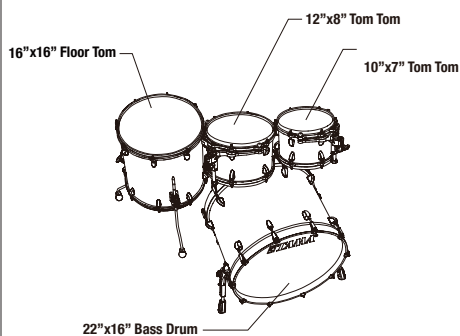
[add-on]
14"x6.5" Snare Drum



KIT CONFIGURATIONS

[22"BD 4pc Shell Kit]

TW42RZS



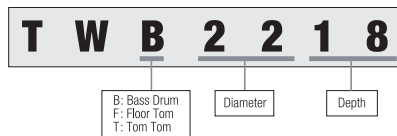
Flo Dauner | Die Fantastischen Vier, The Voice Of Germany

INDIVIDUAL MODEL NUMBERS

Diameter	Depth	Model No.
Bass Drums		
16"	12"	TWB1612
18"	14"	TWB1814
18"	15"	TWB1815
18"	16"	TWB1816
20"	14"	TWB2014
20"	16"	TWB2016
20"	17"	TWB2017
20"	18"	TWB2018
22"	14"	TWB2214
22"	16"	TWB2216
22"	17"	TWB2217
22"	18"	TWB2218
24"	14"	TWB2414
24"	16"	TWB2416
24"	17"	TWB2417
24"	18"	TWB2418
26"	14"	TWB2614
26"	16"	TWB2616
Floor Toms		
13"	12"	TWF1312
14"	12"	TWF1412
14"	13"	TWF1413
14"	14"	TWF1414
15"	13"	TWF1513
15"	14"	TWF1514
15"	15"	TWF1515
16"	14"	TWF1614
16"	15"	TWF1615
16"	16"	TWF1616
18"	14"	TWF1814
18"	15"	TWF1815
18"	16"	TWF1816

Diameter	Depth	Model No.
Tom Toms		
8"	6"	TWT0806
8"	7"	TWT0807
8"	8"	TWT0808
10"	6.5"	TWT1065
10"	7"	TWT1007
10"	8"	TWT1008
10"	9"	TWT1009
10"	10"	TWT1010
12"	7"	TWT1207
12"	8"	TWT1208
12"	9"	TWT1209
12"	10"	TWT1210
12"	11"	TWT1211
13"	7.5"	TWT1375
13"	9"	TWT1309
13"	10"	TWT1310
13"	11"	TWT1311
13"	12"	TWT1312
14"	8"	TWT1408
14"	10"	TWT1410
14"	11"	TWT1411
14"	12"	TWT1412
14"	13"	TWT1413
Snare Drums		
13"	6"	TWS136
14"	5.5"	TWS1455
14"	6.5"	TWS1465
14"	8"	TWS148

MODEL NUMBER SYSTEM - Individual Drums



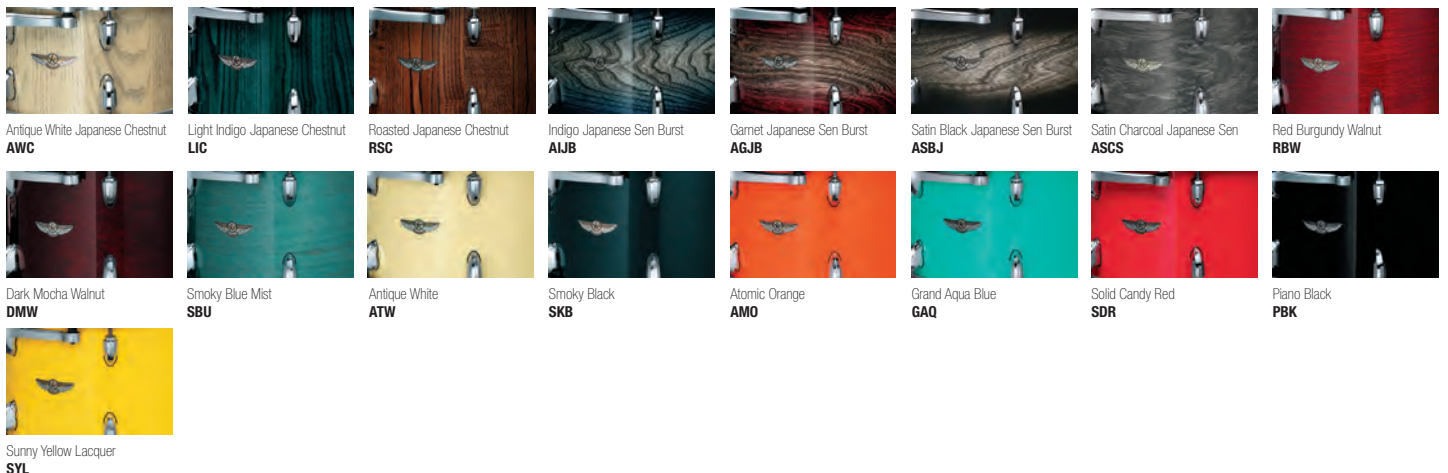
SPECIFICATIONS

Shells

All Walnut Shell TT/FT/SD: 6mm 6ply, BD: 7mm 7ply
 (A)JB/(A)G)B/(A)S)J/(A)S)C)S)TT/FT/SD: 6mm, 4ply Walnut + 2 outer ply Japanese Sen
 BD: 7mm, 5ply Walnut + 2 outer ply Japanese Sen
 (L)C/(C)C/(R)S)C)TT/FT/SD: 6mm, 5ply Walnut + 1 outer ply Japanese Chestnut
 BD: 7mm, 6ply Walnut + 1 outer ply Japanese Chestnut

- STAR Bearing Edges
- Super Resonant Mounting System
- Quick-Lock Tom Brackets
- Minimum Shell Contact
- STAR Floor Tom Legs
- Remo® Drum Heads

FINISHES (Lacquer)



STARCLASSIC MAPLE

Exotic Finishes

In the '80s TAMA's Superstars and Imperialstars reigned supreme - the perfect drums for the times. But TAMA's builders and designers wanted something that transcended trends, something timeless - drums that understood a player's passion and allowed the expression of every genre, style, mood, and technique. They created Starclassic Maple drums...and ignited the thin-shell revolution. And now the Exotic Finish line offers beautiful, one-of-a-kind exotic wood exteriors for that extra luxurious touch.

Numerous options are available to meet the varied and critical needs of professional drummers including a selection of more than 30 different shell sizes. Starclassic Maple also features three shell hardware finishes to choose from: Black Nickel, Chrome and Smoked Black Nickel. Starclassic Maple is simply an unprecedented combination of sight and sound.

For more Information:



COLOR Tobacco Sunburst Movingui **VTBV**

ME42TZUS basic kit

with smoked black nickel hardware

including:

22"x16" Bass Drum

10"x7" Tom Tom

12"x8" Tom Tom

16"x16" Floor Tom

MES1465U

[add-on]

14"x6.5" Snare Drum



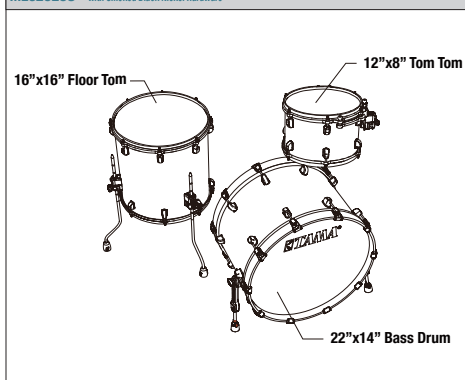
KIT CONFIGURATIONS

[22"BD 3pc Shell Kit]

ME32CZS with Chrome Hardware

ME32CZBS with Black Nickel Hardware

ME32CZUS with Smoked Black Nickel Hardware

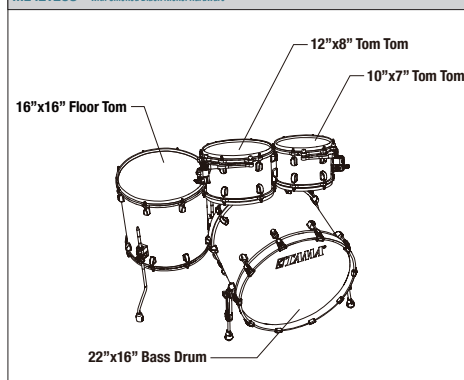


[22"BD 4pc Shell Kit]

ME42TZS with Chrome Hardware

ME42TZBS with Black Nickel Hardware

ME42TZUS with Smoked Black Nickel Hardware



INDIVIDUAL MODEL NUMBERS

Diameter	Depth	Model No.		
		Black Nickel	Chrome	Smoked Black Nickel
Bass Drums *To order Bass Drum with Tom Holder Base, Please substitute "Z" with "M". Ex MEB2218Z → MEB2218M				
16"	12"	MEB1612ZB	MEB1612Z	MEB1612ZU
18"	14"	MEB1814ZB	MEB1814Z	MEB1814ZU
20"	14"	MEB2014ZB	MEB2014Z	MEB2014ZU
20"	16"	MEB2016ZB	MEB2016Z	MEB2016ZU
22"	14"	MEB2214ZB	MEB2214Z	MEB2214ZU
22"	16"	MEB2216ZB	MEB2216Z	MEB2216ZU
22"	18"	MEB2218ZB	MEB2218Z	MEB2218ZU
24"	14"	MEB2414ZB	MEB2414Z	MEB2414ZU
24"	16"	MEB2416ZB	MEB2416Z	MEB2416ZU
Floor Toms				
13"	12"	MEF1312B	MEF1312	MEF1312U
14"	12"	MEF1412B	MEF1412	MEF1412U
14"	14"	MEF1414B	MEF1414	MEF1414U
16"	14"	MEF1614B	MEF1614	MEF1614U
16"	16"	MEF1616B	MEF1616	MEF1616U
18"	16"	MEF1816B	MEF1816	MEF1816U
Tom Toms				
8"	6"	MET0806B	MET0806	MET0806U
8"	7"	MET0807B	MET0807	MET0807U
10"	6.5"	MET1065B	MET1065	MET1065U
10"	7"	MET1007B	MET1007	MET1007U
10"	8"	MET1008B	MET1008	MET1008U
10"	9"	MET1009B	MET1009	MET1009U
12"	7"	MET1207B	MET1207	MET1207U
12"	8"	MET1208B	MET1208	MET1208U
12"	9"	MET1209B	MET1209	MET1209U
12"	10"	MET1210B	MET1210	MET1210U
13"	7.5"	MET1375B	MET1375	MET1375U
13"	9"	MET1309B	MET1309	MET1309U
13"	10"	MET1310B	MET1310	MET1310U
13"	11"	MET1311B	MET1311	MET1311U
14"	10"	MET1410B	MET1410	MET1410U
14"	11"	MET1411B	MET1411	MET1411U
14"	12"	MET1412B	MET1412	MET1412U
Snare Drums				
13"	6"	MES136B	MES136	MES136U
14"	5.5"	MES1455B	MES1455	MES1455U
14"	6.5"	MES1465B	MES1465	MES1465U
14"	8"	MES148B	MES148	MES148U

SPECIFICATIONS

Shells

(LEWB/LNWB/LRWB)
 TT/FT: 5mm 6ply Maple + 1 outer ply Pacific Walnut
 BD/SD: 7mm 8ply Maple + 1 outer ply Pacific Walnut

(VGLM/VTBV)
 TT/FT: 5mm 6ply Maple + 1 outer ply Movingui
 BD/SD: 7mm 8ply Maple + 1 outer ply Movingui

- Star-Cast Mounting System
- Quick-Lock Tom Bracket
- EVANS® Heads
- Die-Cast Hoops
- Hold Tight™ Washers
- Claw Hooks with Rubber Spacers
- Cushioned Floor Tom Legs

OPTION



Chrome HW



Black Nickel HW

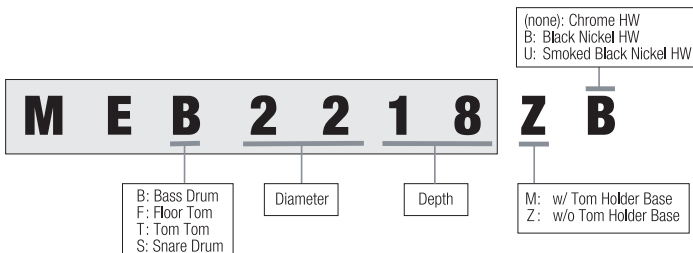


Smoked Black Nickel HW

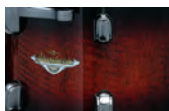


WOLFRAM KELLNER | J.B.O.

MODEL NUMBER SYSTEM - Individual Drums



FINISHES (Lacquer)



Tobacco Sunburst Movingui
VTBV



Gloss Natural Movingui
VGLM



Ruby Pacific Walnut Burst
LRWB



Emerald Pacific Walnut Burst
LEWB



Natural Pacific Walnut Burst
LNWB

STARCLASSIC MAPLE

Lacquer Finishes

For more information:



COLOR Molten Electric Blue Burst **MEB**
with black nickel hardware

MA42TZBNS basic kit

including:
22"x16" Bass Drum
10"x7" Tom Tom
12"x8" Tom Tom
16"x16" Floor Tom

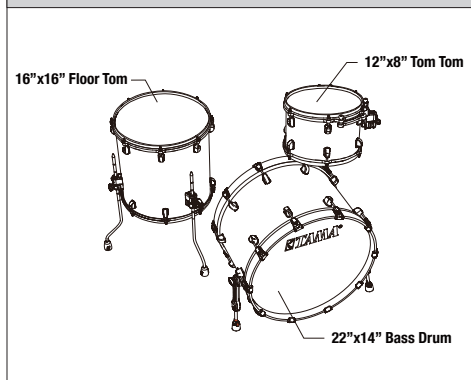
MAS1465BN

[add-on]
14"x6.5" Snare Drum

KIT CONFIGURATIONS

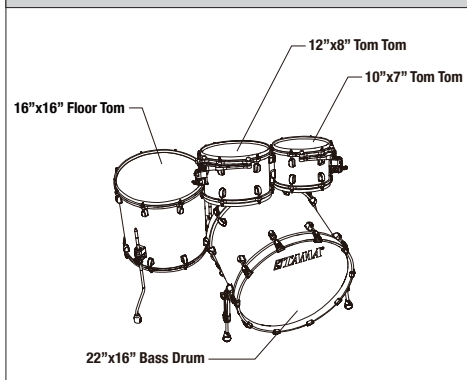
[22"BD 3pc Shell Kit]

- MA32CZS with Chrome Hardware
- MA32CZBNS with Black Nickel Hardware
- MA32CZUS with Smoked Black Nickel Hardware



[22"BD 4pc Shell Kit]

- MA42TZS with Chrome Hardware
- MA42TZBNS with Black Nickel Hardware
- MA42TZUS with Smoked Black Nickel Hardware



INDIVIDUAL MODEL NUMBERS

Diameter	Depth	Model No.		
		Black Nickel	Chrome	Smoked Black Nickel
Bass Drum *To order Bass Drum with Tom Holder Base, Please substitute "Z" with "M". Ex MAB2218Z → MAB2218M				
16"	12"	MAB1612ZBN	MAB1612Z	MAB1612ZU
18"	14"	MAB1814ZBN	MAB1814Z	MAB1814ZU
20"	14"	MAB2014ZBN	MAB2014Z	MAB2014ZU
20"	16"	MAB2016ZBN	MAB2016Z	MAB2016ZU
22"	14"	MAB2214ZBN	MAB2214Z	MAB2214ZU
22"	16"	MAB2216ZBN	MAB2216Z	MAB2216ZU
22"	18"	MAB2218ZBN	MAB2218Z	MAB2218ZU
24"	14"	MAB2414ZBN	MAB2414Z	MAB2414ZU
24"	16"	MAB2416ZBN	MAB2416Z	MAB2416ZU
Floor Toms				
13"	12"	MAF1312BN	MAF1312	MAF1312U
14"	12"	MAF1412BN	MAF1412	MAF1412U
14"	14"	MAF1414BN	MAF1414	MAF1414U
16"	14"	MAF1614BN	MAF1614	MAF1614U
16"	16"	MAF1616BN	MAF1616	MAF1616U
18"	16"	MAF1816BN	MAF1816	MAF1816U
Tom Toms				
8"	6"	MAT0806BN	MAT0806	MAT0806U
8"	7"	MAT0807BN	MAT0807	MAT0807U
10"	6.5"	MAT1065BN	MAT1065	MAT1065U
10"	7"	MAT1007BN	MAT1007	MAT1007U
10"	8"	MAT1008BN	MAT1008	MAT1008U
10"	9"	MAT1009BN	MAT1009	MAT1009U
12"	7"	MAT1207BN	MAT1207	MAT1207U
12"	8"	MAT1208BN	MAT1208	MAT1208U
12"	9"	MAT1209BN	MAT1209	MAT1209U
12"	10"	MAT1210BN	MAT1210	MAT1210U
13"	7.5"	MAT1375BN	MAT1375	MAT1375U
13"	9"	MAT1309BN	MAT1309	MAT1309U
13"	10"	MAT1310BN	MAT1310	MAT1310U
13"	11"	MAT1311BN	MAT1311	MAT1311U
14"	10"	MAT1410BN	MAT1410	MAT1410U
14"	11"	MAT1411BN	MAT1411	MAT1411U
14"	12"	MAT1412BN	MAT1412	MAT1412U
Snare Drums				
13"	6"	MAS136BN	MAS136	MAS136U
14"	5.5"	MAS1455BN	MAS1455	MAS1455U
14"	6.5"	MAS1465BN	MAS1465	MAS1465U
14"	8"	MAS148BN	MAS148	MAS148U

SPECIFICATIONS

Shells

All Maple Shell
TT/FT: 5mm 6ply
BD/SD: 7mm 8ply

Star-Cast Mounting System
Quick-Lock Tom Bracket
EVANS® Heads
Die-Cast Hoops
Hold Tight™ Washers
Claw Hooks with Rubber Spacers
Cushioned Floor Tom Legs

OPTION



Chrome HW

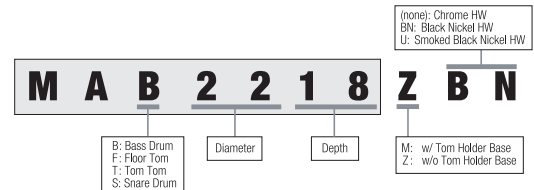


Black Nickel HW



Smoked Black Nickel HW

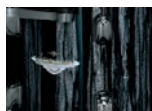
MODEL NUMBER SYSTEM - Individual Drums



FINISHES (Lacquer)



Deeper Purple
DPP



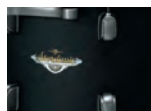
Black Clouds & Silver Linings
BCS



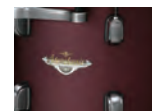
Satin Aztec Gold Metallic
SAM



Dark Mocha Burst
DMB



Flat Black
FBK



Flat Burgundy Metallic
FBM



Molten Electric Blue Burst
MEB



Molten Satin Brown Burst
MBB



Silver Snow Racing Stripe
SSR



Piano White
PWH



Piano Black
PBK

STARCLASSIC MAPLE

Duracover Wrap Finishes

For more Information:



COLOR Red Oyster
w/ black nickel hardware

MR42TZBNS basic kit

including:
22"x16" Bass Drum
10"x7" Tom Tom
12"x8" Tom Tom
16"x16" Floor Tom

MRS1465BN

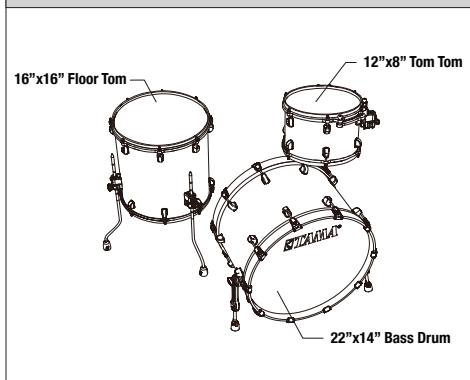
[add-on]
14"x6.5" Snare Drum



KIT CONFIGURATIONS

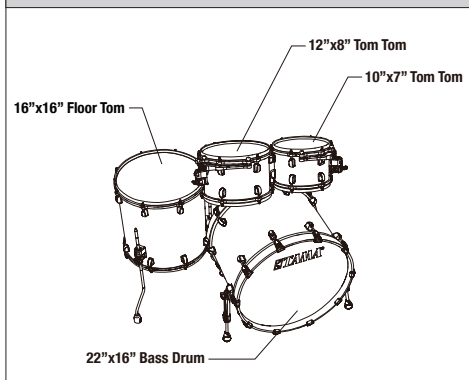
[22"BD 3pc Shell Kit]

- MR32CZS with Chrome Hardware
- MR32CZBNS with Black Nickel Hardware
- MR32CZUS with Smoked Black Nickel Hardware



[22"BD 4pc Shell Kit]

- MR42TZS with Chrome Hardware
- MR42TZBNS with Black Nickel Hardware
- MR42TZUS with Smoked Black Nickel Hardware



INDIVIDUAL MODEL NUMBERS

Diameter	Depth	Model No.		
		Black Nickel	Chrome	Smoked Black Nickel
Bass Drum *To order Bass Drum with Tom Holder Base, Please substitute "Z" with "M". Ex MRB2218Z → MRB2218M				
16"	12"	MRB1612ZBN	MRB1612Z	MRB1612ZU
18"	14"	MRB1814ZBN	MRB1814Z	MRB1814ZU
20"	14"	MRB2014ZBN	MRB2014Z	MRB2014ZU
20"	16"	MRB2016ZBN	MRB2016Z	MRB2016ZU
22"	14"	MRB2214ZBN	MRB2214Z	MRB2214ZU
22"	16"	MRB2216ZBN	MRB2216Z	MRB2216ZU
22"	18"	MRB2218ZBN	MRB2218Z	MRB2218ZU
24"	14"	MRB2414ZBN	MRB2414Z	MRB2414ZU
24"	16"	MRB2416ZBN	MRB2416Z	MRB2416ZU
Floor Toms				
13"	12"	MRF1312BN	MRF1312	MRF1312U
14"	12"	MRF1412BN	MRF1412	MRF1412U
14"	14"	MRF1414BN	MRF1414	MRF1414U
16"	14"	MRF1614BN	MRF1614	MRF1614U
16"	16"	MRF1616BN	MRF1616	MRF1616U
18"	16"	MRF1816BN	MRF1816	MRF1816U
Tom Toms				
8"	6"	MRT0806BN	MRT0806	MRT0806U
8"	7"	MRT0807BN	MRT0807	MRT0807U
10"	6.5"	MRT1065BN	MRT1065	MRT1065U
10"	7"	MRT1007BN	MRT1007	MRT1007U
10"	8"	MRT1008BN	MRT1008	MRT1008U
10"	9"	MRT1009BN	MRT1009	MRT1009U
12"	7"	MRT1207BN	MRT1207	MRT1207U
12"	8"	MRT1208BN	MRT1208	MRT1208U
12"	9"	MRT1209BN	MRT1209	MRT1209U
12"	10"	MRT1210BN	MRT1210	MRT1210U
13"	7.5"	MRT1375BN	MRT1375	MRT1375U
13"	9"	MRT1309BN	MRT1309	MRT1309U
13"	10"	MRT1310BN	MRT1310	MRT1310U
13"	11"	MRT1311BN	MRT1311	MRT1311U
14"	10"	MRT1410BN	MRT1410	MRT1410U
14"	11"	MRT1411BN	MRT1411	MRT1411U
14"	12"	MRT1412BN	MRT1412	MRT1412U
Snare Drums				
13"	6"	MRS136BN	MRS136	MRS136U
14"	5.5"	MRS1455BN	MRS1455	MRS1455U
14"	6.5"	MRS1465BN	MRS1465	MRS1465U
14"	8"	MRS148BN	MRS148	MRS148U

SPECIFICATIONS

Shells

All Maple Shell
 TT/FT: 5mm 6ply
 BD/SD: 7mm 8ply

Star-Cast Mounting System
 Quick-Lock Tom Bracket
 EVANS® Heads
 Die-Cast Hoops
 Hold Tight™ Washers
 Claw Hooks with Rubber Spacers
 Cushioned Floor Tom Legs

OPTION



Chrome HW



Black Nickel HW

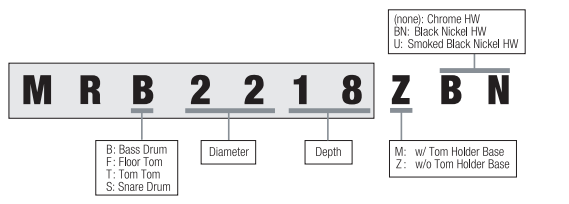


Smoked Black Nickel HW



Miloš Meier | DYMYTRY

MODEL NUMBER SYSTEM - Individual Drums



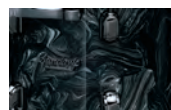
FINISHES (Duracover Wrap)



Red Oyster
ROY



Turquoise Pearl
TOP



Charcoal Swirl
CCL



Sky Blue Swirl
SLW



Blue and White Oyster
BWO

STARCLASSIC WALNUT/BIRCH

Lacquer Finishes

Exploring limitless possibilities, our result in the wake of countless experimentation came in the form of the Hybrid Shell Walnut/Birch: combining the superior quality warmth and mid to low frequency tone of the increasingly popular and truly unique Walnut, with the well-defined and uncompromisingly solid attack of Birch. Whilst we successfully preserved their unique sonic trademarks, the characteristics of both Walnut and Birch blend to persuade a very focused sound that would define itself with great distinction within a musical ensemble; married with controlled sustain and clarity; all sealed with an undeniably palpable feeling of warmth and resonance when performed.

For more Information:



COLOR Molten Blue Ice Fade **MBI**

WBS52RZS basic kit

including:
 22"x16" Bass Drum
 10"x7" Tom Tom
 12"x8" Tom Tom
 14"x12" Floor Tom
 16"x14" Floor Tom
 MC69 single tom attachments (x2)

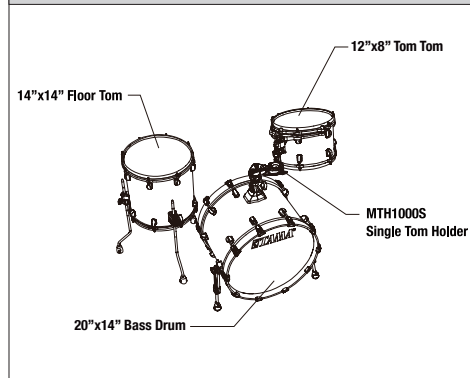
WBS565

[add-on]
 14"x6.5" Snare Drum

KIT CONFIGURATIONS

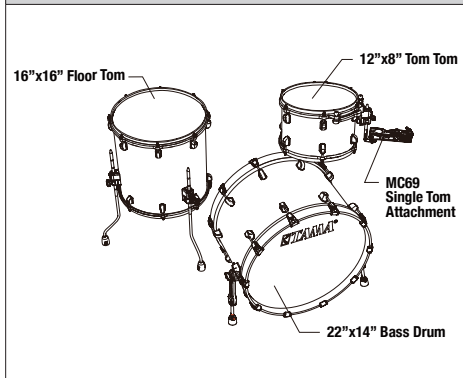
[20"BD 3pc Shell Kit]

WBS30RS with Chrome Hardware



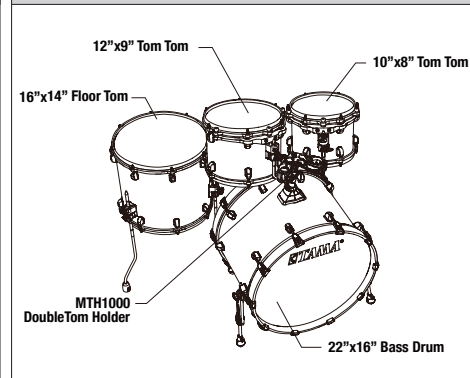
[22"BD 3pc Shell Kit]

WBS32RZS with Chrome Hardware



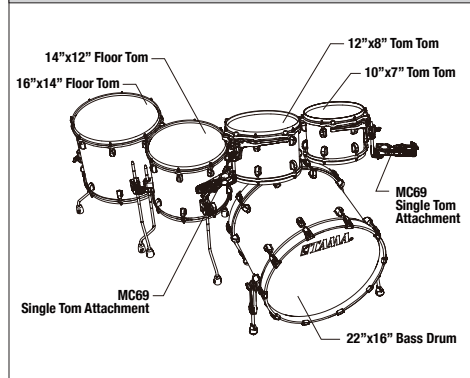
[22"BD 4pc Shell Kit]

WBS42S with Chrome Hardware



[22"BD 5pc Shell Kit]

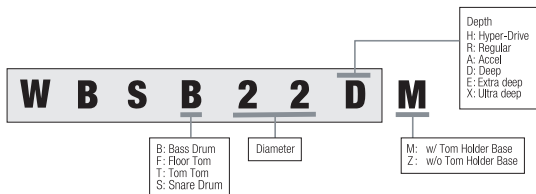
WBS52RZS with Chrome Hardware



INDIVIDUAL MODEL NUMBERS

Diameter	Depth	Model No.
Bass Drums *To order Bass Drum with Tom Holder Base, Please substitute "Z" with "M". Ex WBSB22DZ → WBSB22DM		
16"	12"	WBSB16HZ
18"	14"	WBSB18RZ
20"	14"	WBSB20RZ
20"	16"	WBSB20DZ
22"	14"	WBSB22RZ
22"	16"	WBSB22DZ
22"	18"	WBRB22EZ
24"	16"	WBSB24DZ
Floor Toms		
13"	12"	WBSF13R
14"	12"	WBSF14A
14"	14"	WBSF14D
16"	14"	WBSF16A
16"	16"	WBSF16D
18"	16"	WBSF18D
Tom Toms		
8"	6"	WBST8H
8"	7"	WBST8A
10"	6.5"	WBST10H
10"	7"	WBST10R
10"	8"	WBST10A
12"	7"	WBST12H
12"	8"	WBST12R
12"	9"	WBST12A
13"	7.5"	WBST13H
13"	9"	WBST13R
13"	10"	WBST13A
14"	11"	WBST14A
14"	12"	WBST14D
Snare Drums		
13"	6"	WBSS136
14"	5.5"	WBSS55
14"	6.5"	WBSS65
14"	8"	WBSS148

MODEL NUMBER SYSTEM - Individual Drums



SPECIFICATIONS

Shells

TT/FT/SD: 6mm 4ply Birch + 2 inner ply American Black Walnut
 BD: 8mm 5ply Birch + 2 inner ply American Black Walnut

Star-Cast Mounting System
 Quick-Lock Tom Bracket
 EVANS® Heads

Claw Hooks with Rubber Spacers
 Cushioned Floor Tom Legs
 Die-Cast Hoops

FINISHES (Lacquer)



Molten Blue Ice Fade
MBI



Molten Dark Raspberry Fade
MDR



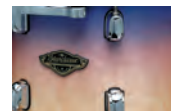
Lacquer Shamrock Oyster
LSO



Lacquer Ocean Blue Ripple
LOR



Lacquer Phantasm Oyster
LPO



Satin Purple Atmosphere Fade
SAF



Satin Sapphire Fade
SPF



Piano Black
PBK



Molten Brown Burst
MBR

STARCLASSIC WALNUT/BIRCH

Duracover Wrap Finishes

For more Information:



COLOR Turquoise Pearl

WBR32RZS basic kit

including:
 22"x14" Bass Drum
 12"x8" Tom Tom
 16"x16" Floor Tom
 MC69 single tom attachment

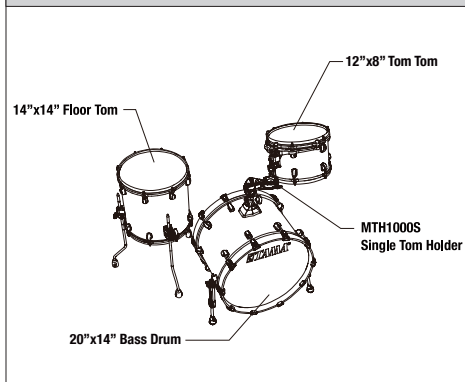
WBR52RZS

[add-on]
 14"x6.5" Snare Drum

KIT CONFIGURATIONS

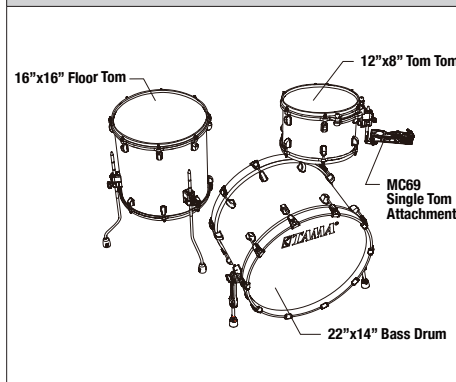
[20"BD 3pc Shell Kit]

WBR30RS with Chrome Hardware



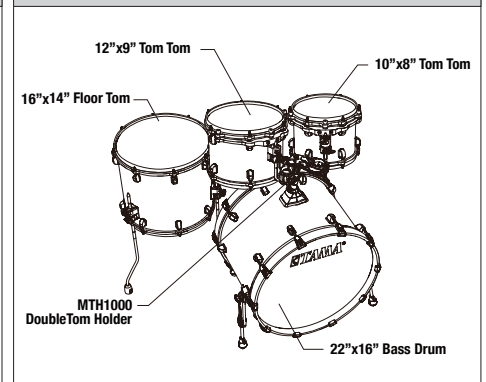
[22"BD 3pc Shell Kit]

WBR32RZS with Chrome Hardware



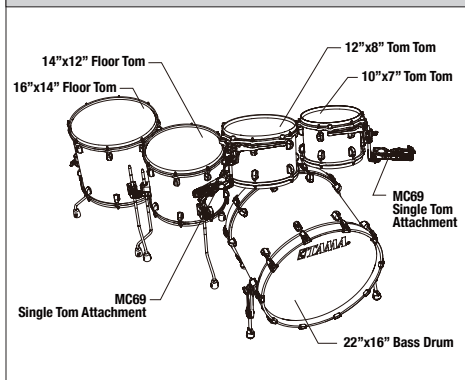
[22"BD 4pc Shell Kit]

WBR42S with Chrome Hardware



[22"BD 5pc Shell Kit]

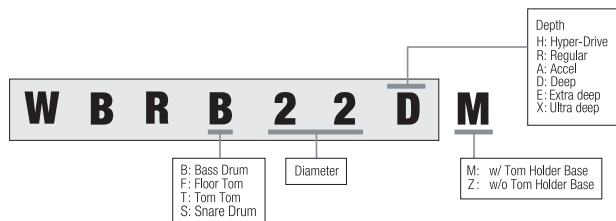
WBR52RZS with Chrome Hardware



INDIVIDUAL MODEL NUMBERS

Diameter	Depth	Model No.
Bass Drums *To order Bass Drum with Tom Holder Base, Please substitute "Z" with "M". Ex WBRB22DZ → WBRB22DM		
16"	12"	WBRB16HZ
18"	14"	WBRB18RZ
20"	14"	WBRB20RZ
20"	16"	WBRB20DZ
22"	14"	WBRB22RZ
22"	16"	WBRB22DZ
22"	18"	WBRB22EZ
24"	16"	WBRB24DZ
Floor Toms		
13"	12"	WBRF13R
14"	12"	WBRF14A
14"	14"	WBRF14D
16"	14"	WBRF16A
16"	16"	WBRF16D
18"	16"	WBRF18D
Tom Toms		
8"	6"	WBRT8H
8"	7"	WBRT8A
10"	6.5"	WBRT10H
10"	7"	WBRT10R
10"	8"	WBRT10A
12"	7"	WBRT12H
12"	8"	WBRT12R
12"	9"	WBRT12A
13"	7.5"	WBRT13H
13"	9"	WBRT13R
13"	10"	WBRT13A
14"	11"	WBRT14A
14"	12"	WBRT14D
Snare Drums		
13"	6"	WBRS136
14"	5.5"	WBRS55
14"	6.5"	WBRS65
14"	8"	WBRS148

MODEL NUMBER SYSTEM - Individual Drums



SPECIFICATIONS

Shells

TT/FT/SD: 6mm 4ply European Birch + 2 inner ply American Black Walnut
 BD: 8mm 5ply European Birch + 2 inner ply American Black Walnut

Star-Cast Mounting System Claw Hooks with Rubber Spacers
 Quick-Lock Tom Bracket Cushioned Floor Tom Legs
 EVANS® Heads Die-Cast Hoops

FINISHES (Duracover Wrap)



Turquoise Pearl
TQP



Vintage Marine Pearl
VMP



Charcoal Onyx
CCO



Red Oyster
ROY

STARCLASSIC PERFORMER

Lacquer Finish

Tama's newest Starclassic Performer series centers on the newest Tama hybrid shell – maple/birch – to offer drummers a complex, powerful and expressive sound, supported by rugged Starclassic performance. Tama's Starclassic Performer series evolves the Starclassic legacy to provide a unique Tama sonic component that redefines the art of professional drum set sound and expression at an undeniable value.

For more information:



COLOR Sky Blue Aurora

SKA

MBS52RZS basic kit

including:
 22"x16" Bass Drum
 10"x7" Tom Tom
 12"x8" Tom Tom
 14"x12" Floor Tom
 16"x14" Floor Tom
 MC69 single tom attachment (x2)

MBSS65

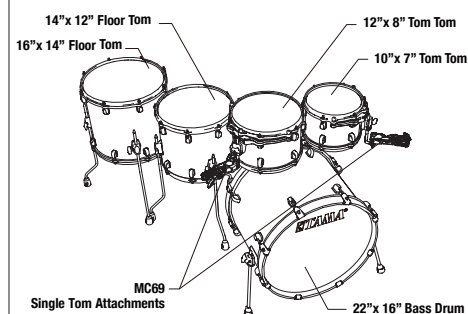
[add-on]
 14"x6.5" Snare Drum



KIT CONFIGURATIONS

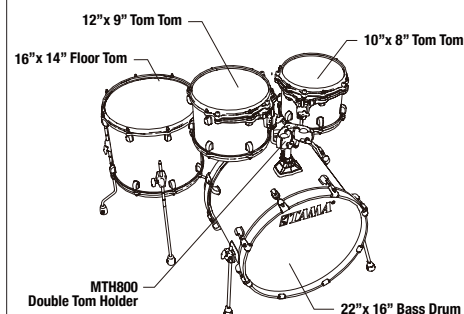
[22" BD 5pc Shell Kit]

MBS52RZS with Chrome Hardware



[22" BD 4pc Shell Kit]

MBS42S with Chrome Hardware

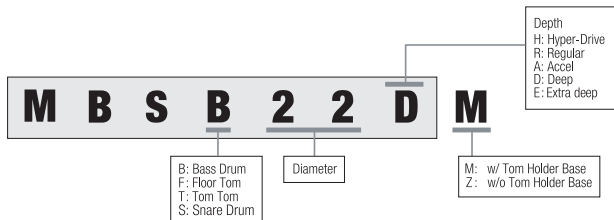


INDIVIDUAL MODEL NUMBERS

Diameter	Depth	Model No.
Bass Drums *To order Bass Drum with Tom Holder Base, Please substitute "Z" with "M". Ex MBSB22DZ → MBSB22DM		
18"	14"	MBSB18RZ
20"	14"	MBSB20RZ
22"	16"	MBSB22DZ
22"	18"	MBSB22EZ
24"	16"	MBSB24DZ
Floor Toms		
14"	12"	MBSF14A
14"	14"	MBSF14D
16"	14"	MBSF16A
18"	16"	MBSF18D
Tom Toms		
8"	6"	MBST8H
8"	7"	MBST8A
10"	7"	MBST10R
10"	8"	MBST10A
12"	8"	MBST12R
12"	9"	MBST12A
13"	9"	MBST13R
13"	10"	MBST13A
Snare Drums		
14"	5.5"	MBSS55
14"	6.5"	MBSS65

MODEL NUMBER SYSTEM

- Individual Drums



SPECIFICATIONS

Shells

TT/FT/SD: 6mm, 4ply Birch + 2 inner ply Maple
 BD: 7mm, 5ply Birch + 2 inner ply Maple

Star-Cast Mounting System Claw Hooks with Rubber Spacers
 Cushioned Floor Tom Legs EVANS® Heads
 Die-Cast Hoops



SPECKI T.D. I IN EXTREMO

FINISHES (Lacquer)



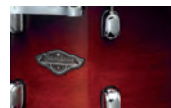
Sky Blue Aurora
SKA



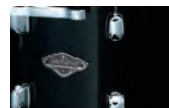
Caramel Aurora
CAR



Molten Steel Blue Burst
MSL



Dark Cherry Fade
DCF



Piano Black
PBK

SUPERSTAR CLASSIC

Exotic Finishes

For more than forty years, the Superstar name has stood for groundbreaking design, superior build quality, sterling tone, and clear projection. Superstar Classic once again upholds tradition by raising the bar for discerning drummers—and remarkably—does it while also lowering the price. Drawing on Superstar of the past, its classic TAMA T-shape badge and streamlined low-mass single lugs point to the simpler state of art of the 70's, while the ingenious Star-Mount system and the thinner gauge 100% maple shells eclipse anything in its class.

For more Information:



COLOR Caribbean Lacebark Pine Fade **PCLP**

CL72RS 7pc basic kit

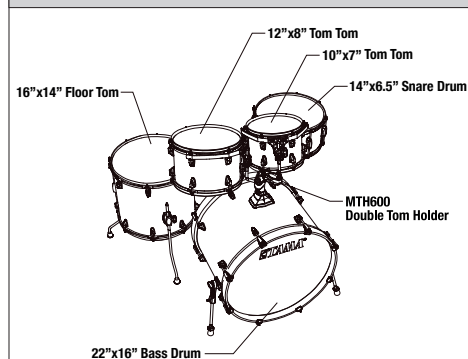
- including:
- 22"x16" Bass Drum
 - 8"x6" Tom Tom
 - 10"x7" Tom Tom
 - 12"x8" Tom Tom
 - 14"x12" Floor Tom
 - 16"x14" Floor Tom
 - 14"x6.5" Snare Drum
 - MTH600 Double Tom Holder
 - MC69 Single Tom Attachment



KIT CONFIGURATIONS

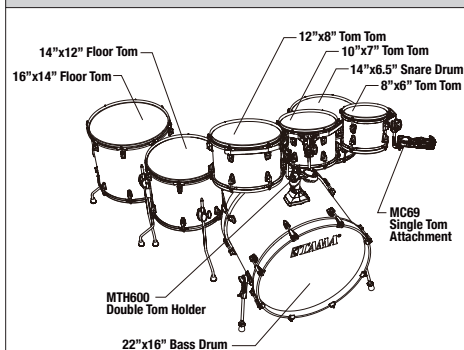
[22"BD 5pc Shell Kit]

CL52KRS
CL52KR with SM5W hardware pack



[22"BD 7pc Shell Kit]

CL72RS
CL72R with SM5W hardware pack



INDIVIDUAL MODEL NUMBERS

Diameter	Depth	Model No.
Bass Drums		
18"(with bass drum lifter)	14"	CLB18RL
20"	16"	CLB20D
22"	16"	CLB22D
24"	16"	CLB24D
Floor Toms		
14"	12"	CLF14A
14"	14"	CLF14D
16"	14"	CLF16A
18"	16"	CLF18D
Tom Toms		
8"	6"	CLT8H
10"	7"	CLT10R
12"	8"	CLT12R
13"	9"	CLT13R
Snare Drums		
14"	5"	CLS145
14"	6.5"	CLS1465

SPECIFICATIONS

Shells

TT/FT/SD: 5mm 4ply Maple + 2 outer ply
Lacebark Pine
BD: 7mm 6ply Maple + 2 outer ply Lacebark Pine

Star-Mount System

Low-Mass Lugs

Power Craft II Drum Heads



FINISHES (Lacquer)



Caribbean Lackebark Pine Fade
PCLP



Gloss Lackebark Pine Fade
PGLP



Gloss Java Lackebark Pine
PGLP



Gloss Sapphire Lackebark Pine
PGLP



Gloss Garnet Lackebark Pine
PGLP

SUPERSTAR CLASSIC

Lacquer Finishes

For more information:



COLOR Gloss Natural Blonde **GNL**

CL52KRS 5pc basic kit

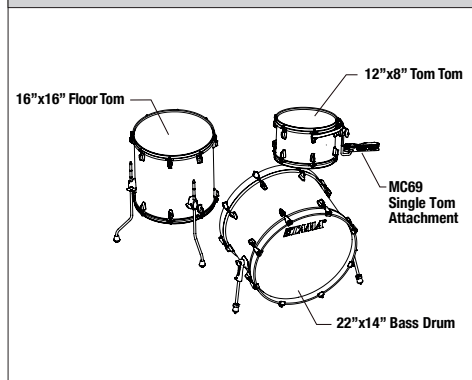
- including:
- 22"x16" Bass Drum
 - 10"x7" Tom Tom
 - 12"x8" Tom Tom
 - 16"x14" Floor Tom
 - 14"x6.5" Snare Drum
 - MTH600 Double Tom Holder



KIT CONFIGURATIONS

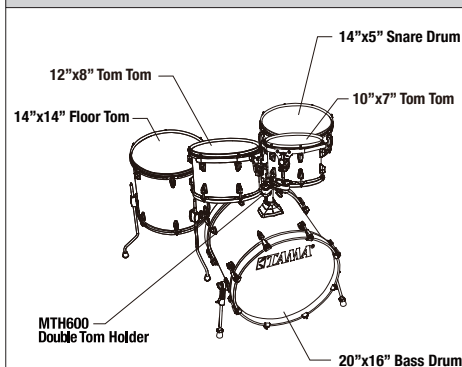
[22" BD 3pc Shell Kit] **NEW**

CL32RZS
CL32RZ w/SM5W hardware pack



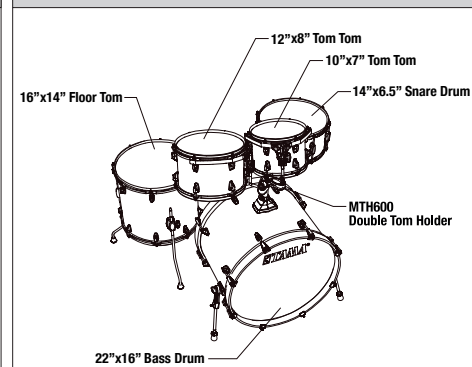
[20" BD 5pc Shell Kit]

CL50RS
CL50R w/ SM5W hardware pack



[22" BD 5pc Shell Kit]

CL52KRS
CL52KR w/SM5W hardware pack



INDIVIDUAL MODEL NUMBERS

Diameter	Depth	Model No.		
Bass Drums				
18"(w/ bass drum lifter)	14"	CLB18RL		
20"	16"	CLB20D		
22"	14"	CLB22RZ		
22"	16"	CLB22D		
24"	16"	CLB24D		
Floor Toms				
14"	12"	CLF14A		
14"	14"	CLF14D		
16"	14"	CLF16A		
16"	16"	CLF16D		
18"	16"	CLF18D		
Tom Toms				
8"	6"	CLT8H		
10"	7"	CLT10R		
12"	8"	CLT12R		
13"	9"	CLT13R		
Snare Drums				
14"	5"	CLS145		
14"	6.5"	CLS1465		

SPECIFICATIONS

Shells

All Maple Shell
 TT/FT/SD: 5mm 6ply
 BD: 7mm 8ply

Star-Mount System

Low-Mass Lugs

Power Craft II Drum Heads



SEBASTIAN LANSER | OBSIDIOUS, MARTIN GRUBINGER

FINISHES (Lacquer)



Gloss Natural Blonde
GNL



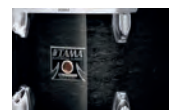
Blue Lacquer Burst
BAB



Coffee Fade
CFF



Tangerine Lacquer Burst
TLB



Transparent Black Burst
TPB

SUPERSTAR CLASSIC

Unicolor Wrap Finishes

For more information:



COLOR Ice Ash Wrap **ICA**

CK52KRS 5pc basic kit

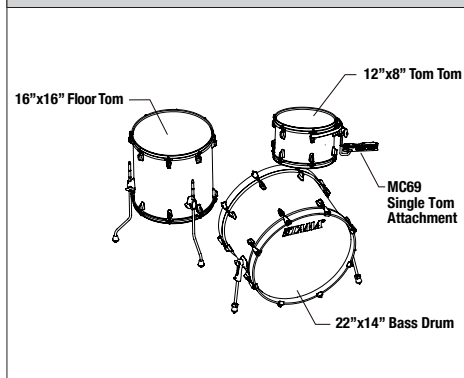
including:
 22"x16" Bass Drum
 10"x7" Tom Tom
 12"x8" Tom Tom
 16"x14" Floor Tom
 14"x6.5" Snare Drum
 MTH600 Double Tom Holder



KIT CONFIGURATIONS

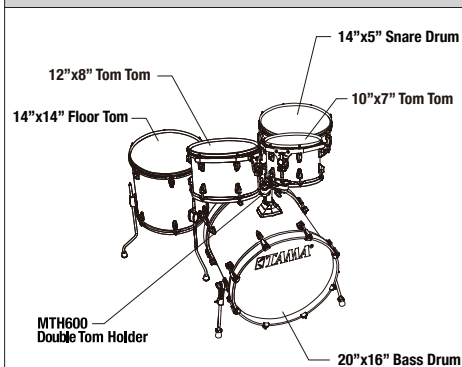
[22" BD 3pc Shell Kit] **NEW**

CK32RZS
 CK32RZ w/SM5W hardware pack



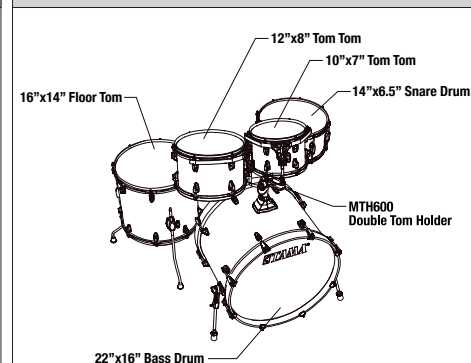
[20" BD 5pc Shell Kit]

CK50RS
 CK50R w/ SM5W hardware pack



[22" BD 5pc Shell Kit]

CK52KRS
 CK52KR w/SM5W hardware pack



INDIVIDUAL MODEL NUMBERS

Diameter	Depth	Model No.		
Bass Drums				
18"(w/ bass drum lifter)	14"	CKB18RL		
20"	16"	CKB20D		
22"	14"	CKB22RZ		
22"	16"	CKB22D		
24"	16"	CKB24D		
Floor Toms				
14"	12"	CKF14A		
14"	14"	CKF14D		
16"	14"	CKF16A		
16"	16"	CKF16D		
18"	16"	CKF18D		
Tom Toms				
8"	6"	CKT8H		
10"	7"	CKT10R		
12"	8"	CKT12R		
13"	9"	CKT13R		
Snare Drums				
14"	5"	CKS145		
14"	6.5"	CKS1465		

SPECIFICATIONS

Shells

All Maple Shell
 TT/FT/SD: 5mm 6ply
 BD: 7mm 8ply

Star-Mount System

Low-Mass Lugs

Power Craft II Drum Heads



LUCAS HEIBY | ALICE MERTON

FINISHES (Unicolor Wrap)



Ice Ash Wrap
ICA



Natural Ebony Tiger Wrap
NET



Indigo Sparkle
ISP



Midnight Gold Sparkle
MGD

IMPERIALSTAR

Unicolor Wrap Finishes w/Chrome Shell Hardware

In 2006, the Imperialstar line made its successful comeback, providing everything a drummer needs at an affordable price. Now, Imperialstar is refined to feature matching bass drum hoops, Stage Master double-braced hardware, and Iron Cobra 200 bass drum pedal.

For more information:



COLOR Electric Yellow **ELY**

IP52H6W 22" Bass Drum 5pc basic kit

Drums:
22"x18" Bass Drum, 10"x7" & 12"x8" Tom Toms, 16"x14" Floor Tom, 14"x5" Snare Drum.

Hardware:
Double Tom Holder, Hi-Hat Stand, Drum Pedal, Snare Stand, Boom Cymbal Stand, Straight Cymbal Stand, Drum Throne.

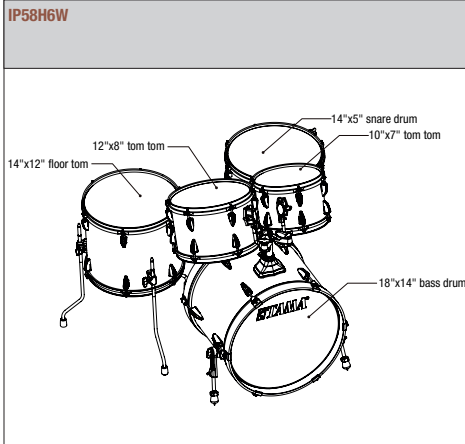


MEINL HCS Brass

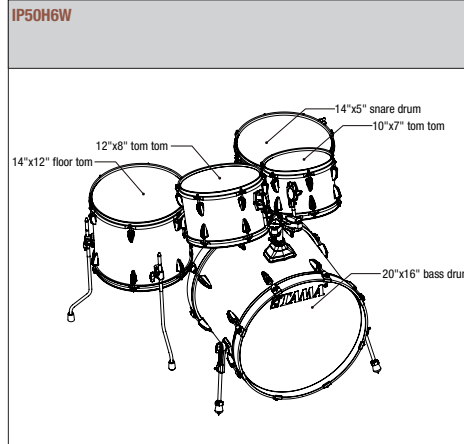
Imperialstar all-in-one "READY-TO-ROCK" packages not only have everything you need to rock, you'll rock better with HCS genuine Brass cymbals from Meinl®, the cymbal maker of choice for many of today's new generation drummers.

KIT CONFIGURATIONS

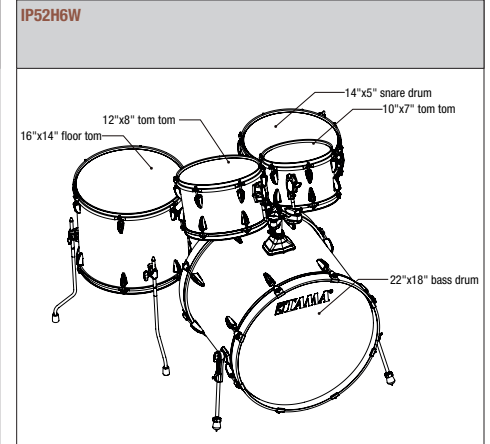
[18" BD 5pc Kit w/ Hardware]



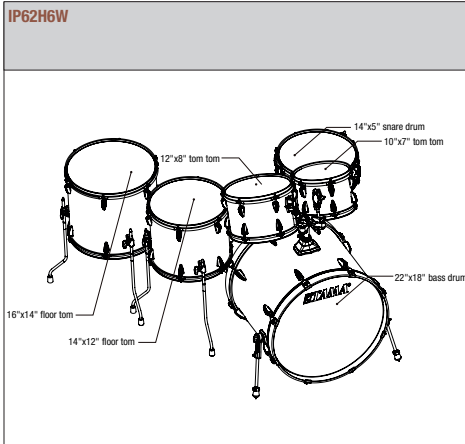
[20" BD 5pc Kit w/ Hardware]



[22" BD 5pc Kit w/ Hardware]



[22" BD 6pc Kit w/ Hardware]



INDIVIDUAL MODEL NUMBERS

Diameter	Depth	Model No.
Bass Drums		
18"	14"	IPB18RW
20"	16"	IPB20DW
22"	18"	IPB22EW
Floor Toms		
14"	12"	IPF14A
16"	14"	IPF16A
18"	16"	IPF18D
Tom Toms		
8"	7"	IPT8A
10"	7"	IPT10R
12"	8"	IPT12R
13"	9"	IPT13R
Snare Drums		
14"	5"	IPS145
14"	6.5"	IPS1465

SPECIFICATIONS

Shells

All Poplar Shell: 8mm 6ply

Omnisphere Tom Holder

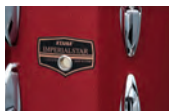
Wood Bass Drum Hoops

Double Braced Stage Master Hardware



SIMON GATTRINGER | JOHANNES OERDING, THE MIGHTY WINTERSCHIEDTS

FINISHES (Unicolor Wrap)



Burnt Red Mist
BRM



Electric Yellow
ELY



Hairline Black
HBK



Hairline Blue
HLB



Coffee Teak Wrap
CTW

IMPERIALSTAR

Unicolor Wrap Finish w/Black Nickel Shell Hardware

For more Information:



COLOR Blacked Out Black

IP52H6WBN 22" Bass Drum 5pc basic kit

Drums:
22"x18" Bass Drum, 10"x7" & 12"x8" Tom Toms, 16"x14" Floor Tom, 14"x5" Snare Drum.

Hardware:
Double Tom Holder, Hi-Hat Stand, Drum Pedal, Snare Stand, Boom Cymbal Stand, Straight Cymbal Stand, Drum Throne.

MEINL HCS Brass

Imperialstar all-in-one "READY-TO-ROCK" packages not only have everything you need to rock, you'll rock better with HCS genuine Brass cymbals from Meinl®, the cymbal maker of choice for many of today's new generation drummers.

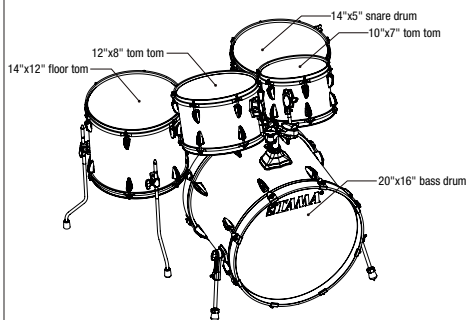


KIT CONFIGURATIONS

[20" BD 5pc Kit w/ Hardware]

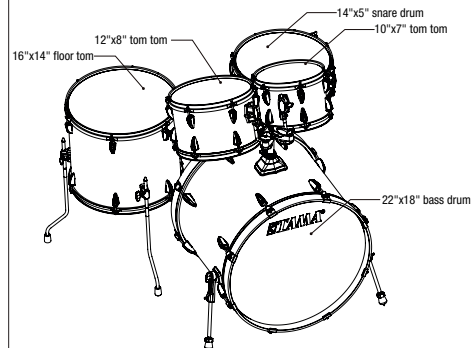
NEW

IP50H6WBN



[22" BD 5pc Kit w/ Hardware]

IP52H6WBN



INDIVIDUAL MODEL NUMBERS

Diameter	Depth	Model No.
Bass Drums		
18"	14"	IPB18RWB
20"	16"	IPB20DWB
22"	18"	IPB22EWB
Floor Toms		
14"	12"	IPF14AB
16"	14"	IPF16AB
18"	16"	IPF18DB
Tom Toms		
8"	7"	IPT8AB
10"	7"	IPT10RB
12"	8"	IPT12RB
13"	9"	IPT13RB
Snare Drums		
14"	5"	IPS145B
14"	6.5"	IPS1465B

SPECIFICATIONS

Shells

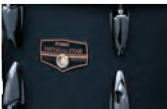
All Poplar Shell: 8mm 6ply

Omnisphere Tom Holder

Wood Bass Drum Hoops

Double Braced Stage Master Hardware

FINISH (Unicolor Wrap)



Blacked Out Black
BOB



JONAS HERMANN | JEREMIAS

STAGESTAR

NEW

Unicolor Wrap Finishes

With 50 years of experience, TAMA knows what drummers really want. Which is why TAMA has the set you need, want and can afford no matter how long you've been playing drums or what budget you have to work with. Now TAMA has launched the affordable kit to ever incorporate many nice features – STAGESTAR. The new STAGESTAR kit comes with Omni-ball tom holder as well as double braced hardware for increased stability.

For more information:



COLOR Candy Red Sparkle **CDS**

ST52H5 22" Bass Drum 5pc basic kit

Drums:
22" x 16" Bass Drum, 10" x 8" Tom Tom, 12" x 9" Tom Tom, 16" x 15" Floor Tom, 14" x 5.5" Snare Drum.

Hardware:
Double Tom Holder, Hi-Hat Stand, Drum Pedal, Snare Stand, Boom Cymbal Stand, Drum Throne.

[Meinl BCS Brass Cymbals]

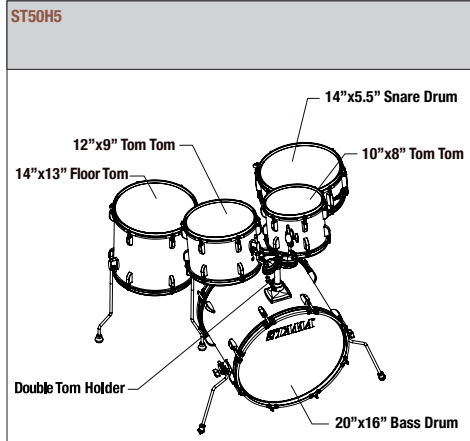
All the kits come with Meinl BCS Brass 14" Hi-Hat & 18" Crash-Ride Cymbals



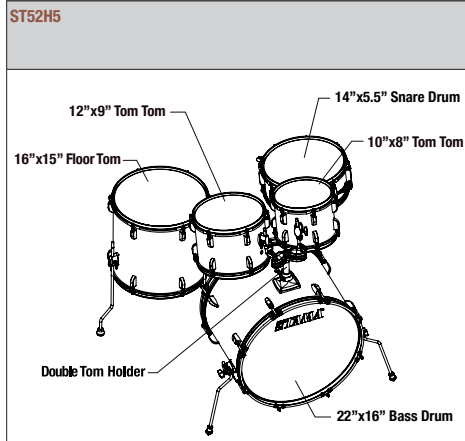
Meinl BCS 18" Crash-Ride
Meinl BCS 14" Hi-Hat

KIT CONFIGURATIONS LIST

[20" BD 5pc Kit w/ Hardware]



[22" BD 5pc Kit w/ Hardware]



FINISHES (Unicolor Wrap)



Candy Red Sparkle
CDS

NEW

Sea Blue Mist
SEM

NEW

Black Night Sparkle
BNS

NEW

CLUB-JAM

Lacquer Finish

The "Club-JAM" Kit adopts some ideas from vintage kits, such as a cymbal holder mounted directly on the bass drum shell and curved bass drum spurs, further setting it apart from the typical compact kit. Focused yet deep sound from poplar shell is just right for small and intimate gigs. Its compact size and configuration make it ideal for working drummers, and it fits comfortably on just about any stage.

For more information:



COLOR Satin Blonde **SBO**

LJL48S 4pc basic kit

Drums:
18"x12" Bass Drum, 10"x7" Tom Tom, 14"x7" Floor Tom, 13"x5" Snare Drum.

Hardware:
Single Tom Holder, Cymbal Holder.

SPECIFICATIONS

Shells

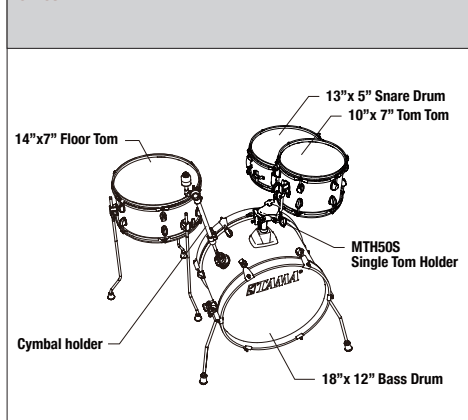
7mm 7ply Poplar + 1 outer ply Phoenix Tree

Bass Drum Mounted Cymbal Holder
Bass Drum Wood Hoops
Compact Sizes for Easy Transport
DSS48LJ Bag Set Sold Separately

KIT CONFIGURATIONS

[18"BD 4pc Shell Kit]

LJL48S



THOMAS FIETZ | MILKY CHANCE

FINISHES (Lacquer)



Satin Blonde
SBO

CLUB-JAM

Unicolor Wrap Finishes

For more information:



COLOR Candy Apple Mist **CPM**

LJK48S 4pc basic kit

Drums:
18"x12" Bass Drum, 10"x7" Tom Tom, 14"x7" Floor Tom, 13"x5"
Snare Drum.

Hardware:
Single Tom Holder, Cymbal Holder.

SPECIFICATIONS

Shells

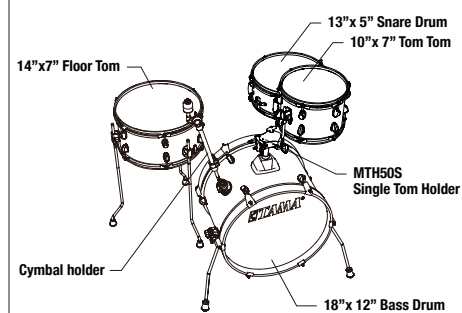
All Poplar Shell: 8mm 9ply

Bass Drum Mounted Cymbal Holder
Bass Drum Wood Hoops
Compact Sizes for Easy Transport
DSS48LJ Bag Set Sold Separately

KIT CONFIGURATIONS

[18"BD 4pc Shell Kit]

LJK48S



BENJAMIN CENTGRAF | MANUEL, GIGI RADICS

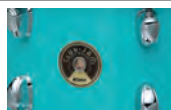
FINISHES (Unicolor Wrap)



Candy Apple Mist
CPM



Cream Marble Wrap
CMW



Aqua Blue
AQB



Charcoal Mist
CCM

CLUB-JAM MINI

Unicolor Wrap Finishes

The simple and sweet TAMA Club-JAM Mini kit is just a kick and snare. Its clear yet deep sound from the poplar shell is just right for those small and intimate gigs. While its compact size and configuration fit comfortably at any small venue or street show. The drum bag set for this kit (DSS28LJ) allows for smooth transportation (sold separately). If one needs to configure it as a regular drum kit, also available are add-on drums including the 10"x7" tom tom with attachment and a 14"x7" floor tom.

For more information:



COLOR Candy Apple Mist **CPM**

LJK28S 2pc basic kit

Drums:
18"x7" Bass Drum, 12"x5" Snare Drum.

LJKT10F14 Add-on pack

Add-on tom and floor tom package is sold separately.
10"x7" Tom Tom, 14"x7" Floor Tom, Single Tom Attachment

SPECIFICATIONS

Shells

All Poplar Shell: 8mm 9ply

Bass Drum Wood Hoops

LJKT10F14 Add-on Kit Sold Separately
(10"x6.5" TT, 14"x07" FT, Single Tom Attachment)

DSS28LJ Bag Set Sold Separately

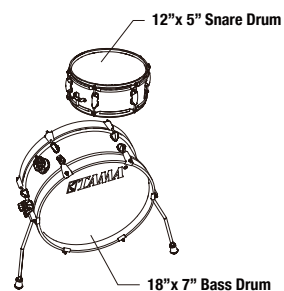


HANNES GROSSMANN | ALKALOID, BLOTTED SCIENCE, TRIPTYKON, ETERNITY'S END

KIT CONFIGURATIONS

[18"BD 2pc Shell Kit]

LJK28S



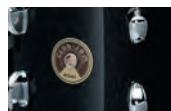
FINISHES (Unicolor Wrap)



Candy Apple Mist
CPM



NEW Aqua Blue
AQB



Charcoal Mist
CCM

CLUB-JAM PANCAKE

For more Information:



The Club-JAM Pancake kit combines the benefits of a compact & easily portable drum kit with professional quality sound and durability. This is achieved through the lightweight and minimalist design of the Club-JAM series. As the lightest and smallest option in the Club-JAM series, this Club-JAM Pancake kit offers a professional quality sound in any situation. The 3.5" deep tom and floor tom, paired with a 4" deep snare drum and bass drum can be easily packed in just a single bag thanks to the ultrashallow shell. The single-headed toms produce a crisp and warm sound with a strong attack. The double-headed snare drum produces a bright and sharp sound, along with significant low-end from the double-headed bass drum. For every genre, whether you're playing live or in the studio, the Club-JAM Pancake kit delivers a new, unique, and satisfying musical experience.



COLOR Burnt Red Mist **BRM**

LJK48P 18" Bass Drum 4pc basic kit

Drums:
18"x4" Bass Drum, 10"x3.5" Tom Tom, 13"x3.5" Floor Tom, 12"x4" Snare Drum

Hardware:
Single Tom Attachment

SPECIFICATIONS

Shells

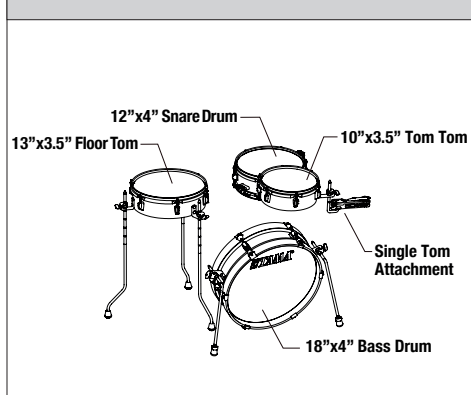
All Poplar Shell: 8mm 6ply

Ultra Shallow Shell
Stackable Design
Bass Drum Natural Wood Hoops
DSS48LJP Bag Set Sold Separately

KIT CONFIGURATIONS

[18"BD 4pc Shell Kit]

LJK48P



*Individual LJKB18H3 Bass Drum also available.



LJKB18H3-BRM 18" Bass Drum

Drums:
18"x4" Bass Drum - Finish: Burned Red Mist (BRM)



LJKB18H3-HBK 18" Bass Drum

Drums:
18"x4" Bass Drum - Finish: Hairline Black (HBK)

FINISHES (Unicolor Wrap)



Burnt Red Mist
BRM



Hairline Black
HBK

CLUB-JAM FLYER

Unicolor Wrap Finishes

The Club-JAM Flyer is the ultimate compact-sized drum kit. It features a 14"x10" bass drum with bass drum lifter, 8"x6" tom tom, 10"x9" floor tom and a 10"x5" snare drum. The Club-JAM Flyer kit delivers a very-well balanced authentic drum sound despite its smaller-sized shells. The Club-JAM Flyer kit's compact size and configuration make it perfect for any small venue or street show. A special drum bag set for the Club-JAM Flyer kit allows for easy transportation (DSS44LJ / sold separately).

For more information:



COLOR Aqua Blue **AQB**

LJK44S 4pc basic kit

Drums:

14"x10" Bass Drum with Bass Drum Lifter, 8"x6" Tom Tom, 10"x9" Floor Tom, 10"x5" Snare Drum.

Hardware:

Single Tom Holder.

SPECIFICATIONS

Shells

All Poplar Shell: 8mm 9ply

Bass Drum Lifter

Bass Drum Natural Wood Hoops

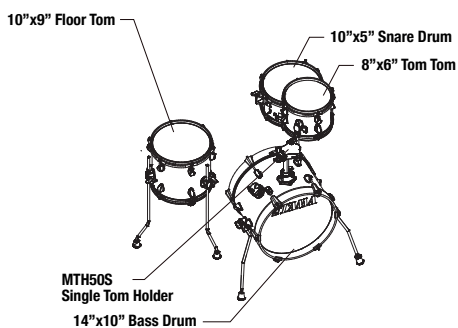
Compact Sizes for Easy Transport

DSS44LJ Bag Set Sold Separately

KIT CONFIGURATIONS

[14"BD 4pc Shell Kit]

LJK44S

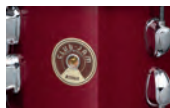


JÜRGEN REIL | KREATOR

FINISHES (Unicolor Wrap)



Aqua Blue
AQB



Candy Apple Mist
CPM

COCKTAIL-JAM

Unicolor Wrap Finishes

The Cocktail-JAM Kit™ is a TAMA original in both appearance and sound. It's ideal for hip-hop, jazz, intimate acoustic settings, and tight rehearsal rooms. Completely compact, this kit can easily be set up and played using a throne in spaces much smaller than a typical drum set. Additionally, the Cocktail-JAM Kit and its hardware can be easily packed into just two bags (included with the kit), making it super portable and easy to transport to any gig. Have fun jamming with the Cocktail-JAM Kit!

For more information:



incl. specially designed Bags

COLOR Bright Orange Sparkle **BOS**

CJB46C basic kit with cymbal attachments

Drums:
16"x6" Bass Drum, 10"x5" Tom Tom, 14"x5.5" Floor Tom, 12"x5" Snare Drum, Sound Focus Pad, Drum Bag, Hardware Bag.

Hardware:
Single Tom Attachments (x2), Single Pedal, Cymbal Attachment, Hi-Hat Attachment

SPECIFICATIONS

Shells

All Birch Shells
TT/FT/SD: 6mm 6ply
BD: 8mm 7ply

Sound Focus Pad

Specially Designed Bags Included

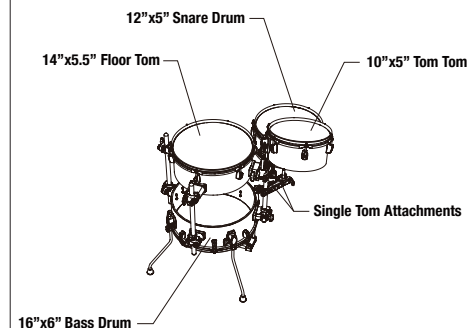
Cymbal Attachment Kit MCAX5366

100% Birch Shells (Cocktail-JAM)

KIT CONFIGURATIONS

[16"BD 4pc Kit with clamp kit]

CJB46C with MCAX5366 Clamp kit



FINISHES (Unicolor Wrap)



Bright Orange Sparkle
BOS



Indigo Sparkle
ISP



Midnight Gold Sparkle
MGD



SEBASTIAN BERG | KISSIN' DYNAMITE



ANDREAS KARALL | EDMUND / KRAWALL



LINDA-PHILOMÈNE TSOUNGUI | THE MARS VOLTA



SIMON POPP | FAZER, 9MS, POPP, INDEPENDENT



ROBIN MCMINN | INDEPENDENT

TRUE TOUCH TRAINING KIT

True Touch Training Kit is a revolutionary practice kit that not only offers the low volume required for practicing at home, but also allows drummers to perform critical technique refinement needed to improve their musical expression. The combination of quiet acoustic volume, realistic acoustic touch and sensitive dynamic expression results in a highly satisfying acoustic drum feeling, something that has not been possible with conventional practice kits until now.

Video:



For more information:



TTK5S Complete Kit

including:

- Solid Kick Bass Pad
- AAD Snare Pad
- 8" High Tom Pad with Mounting Clamp
- 8.5" Low Tom Pad with Mounting Clamp
- 9" Floor Tom with Clamp & Boom Arm & L-Rod Tom Stand

KIT CONFIGURATIONS

[TTK5S 5pc Kit]



*Hi-hat stand, snare stand, cymbal stands, kick pedal and cymbals are not included.

including:
 Solid Kick Bass Pad
 AAD Snare Pad
 8" High Tom Pad with Mounting Clamp
 8.5" Low Tom Pad with Mounting Clamp
 9" Floor Tom with Clamp & Boom Arm & L-Rod Tom Stand

[TTK4S 4pc Kit]



*Hi-hat stand, snare stand, cymbal stands, kick pedal and cymbals are not included.

including:
 Solid Kick Bass Pad
 AAD Snare Pad
 8" High Tom Pad with Mounting Clamp
 9" Floor Tom with Clamp & Boom Arm & L-Rod Tom Stand

[TTK2S 2pc Kit]



*Hi-hat stand, snare stand, cymbal stands, kick pedal and cymbals are not included.

including:
 Solid Kick Bass Pad
 AAD Snare Pad



Acoustic-one Tom & Floor Tom Pads

Tom and floor tom pads are designed to produce realistic stick response, while emanating a low-volume acoustic drum sound. Accordingly, the pad surface is a dual-layer of foam rubber with a moderately soft touch response, not overly springy, and a pliable resin shell acts as an acoustic chamber.



AAD Snare Pad

TAMA's True Touch AAD (Accuracy, Articulation, Dynamics) Snare Pad provides the utmost dynamic expression, articulation and accuracy in a practice pad. Special feature: For even more individual expression, the pad can be tuned like an acoustic snare drum!



Solid Kick Bass Pad

TAMA's True Touch Solid Kit Bass Pad provides the utmost dynamic expression, articulation and accuracy in a bass drum practice pad.



Snare Buzz Spheres

These stainless-steel balls produce a clean, staccato snare buzz sound and hit against the aluminum plate in a dynamic way - harder hits result in more snare buzz sound, while softer hits have less snare sound.

ADD-ON ITEMS

AAD Snare Pad



TTSD10

Acoustic - Tone Tom Pad



TTHT8 8" tom tom
TTLT85 8.5" tom tom
*Mounting clamp is included.



Acoustic - Tone Floor Tom Pad



TTFT9 9" floor tom
*Mounting Clamp, boom arm & L-Rod are included.



Solid Kick Bass Pad



TTBD6

Tom Stand



TTKTS

ISO-BASE SOUND REDUCTION PEDAL PAD



TIBP1

The Pedal Pad offer bass drum pedal floor vibration isolation during home practice.

ISO-BASE SOUND REDUCTION LEG PAD



TIBL1

The Leg Pads offer floor vibration isolation during home practice for cymbal stands, hi-hat stands, and bass drum spurs.

ISO-BASE SOUND REDUCTION PAD SET



TIBS4

Designed for quiet practice at home, the Iso-Base Sound Reduction Pads offer superb floor vibration isolation. For use with cymbal stands, bass drum pedals, hi-hat stands, and even bass drum spurs, the Iso-Base pads are compact and lightweight for easy set-up, tear down, and portability.

Including TIBP1 x 1 and TIBL1 x 3

PRACTICE TOOLS

Our unique practice tools make your percussive education more enjoyable and productive.

PRACTICE PAD



TSP9

This practice pad accurately imitates the natural feel & rebound of an acoustic snare drum. The wooden base and 6mm thick rubber playing surface offer excellent durability. This combination provides easy control and is ideal for hours long practice sessions. The non-slip base allows the practice pad to rest on a tabletop or snare drum without damaging the surface beneath.

- Unique Playing Surface
- A Natural Feel with the Perfect Bounce
- Portable Compact Size - 9"
- Non-Skid Soft Foam Base

SOFT SOUND BEATER



BSQ10S

Soft Sound Beater provides a significant decrease in volume, but allows you to use your regular bass drum pedal and bass drum head with a natural and accurate feel.

BSQ5S

Half size version for twin pedal users

SILENT TIPS



TCP20

TAMA TCP20 is a pair of silicone rubber tips that fit over most drum stick models. These tips make it easy and convenient to practice silently, anytime, anywhere.

EXTENSION PIPE FOR PRACTICE PAD STAND



EP222

The height of the HS40TPN can be easily extended by attaching the EP222 extension pipe between the upper and lower section of unit. No tools are required to install this product.

MESH HEAD



MH8T

- MH8T (8")
- MH10T (10")
- MH12T (12")
- MH13T (13")
- MH14T (14")
- MH16T (16")
- MH18B (18")
- MH22B (22")

PRACTICE PAD STAND



HS40TPN

The HS40TPN practice pad stand can hold pads between 6 and 10 inches in diameter. The EP222 Extension Pipe sold separately.

- Single Braced Legs
- Height Adjustment Range
- without extension pipe:
580mm - 710mm (22 13/16" - 27 15/16")
- with extension pipe (EP222):
790mm - 1,065mm (31 1/8" - 41 15/16")

SOFT SOUND PACKAGE



The Soft Sound package reduces the volume of an acoustic drum kit while retaining the natural tone of the shell. It is designed to maintain the feel of playing an acoustic drum kit; a very important feature when playing in low volume situations.

SSRP52K

- 22" BD 5pc kit configuration
- 10", 12", 14", and 16" SSR
- Half Soft Sound Beater (BSQ5S)

SSRP50

- 20" BD 5pc kit configuration
- 10", 12", and 2pcs of 14" SSR
- Half Soft Sound Beater (BSQ5S)

SSRP48

- 18" BD 4pc kit configuration
- 10", 13", and 14" SSR
- Half Soft Sound Beater (BSQ5S)

CYMBAL MUTE



CM14HH

for 14" hi-hat cymbal



CM1416

for 14" or 16" cymbal



CM1820

for 18" or 20" cymbal

SILENT PRACTICE SET



SPP518CN

- Mesh head for 18" bass drum
- Mesh head for 10" tom tom
- Mesh head for 12" tom tom
- Mesh head for 14" floor tom & snare drum (x2)
- Cymbal mute for 14" hi-hat cymbal
- Cymbal mute for 14" or 16" cymbal
- Cymbal mute for 18" or 20" cymbal

SPP522C

- Mesh head for 22" bass drum
- Mesh head for 12" tom tom
- Mesh head for 13" tom tom
- Mesh head for 16" floor tom
- Mesh head for 14" snare drum
- Cymbal mute for 14" hi-hat cymbal
- Cymbal mute for 14" or 16" cymbal
- Cymbal mute for 18" or 20" cymbal

SPP522KC

- Mesh head for 22" bass drum
- Mesh head for 10" tom tom
- Mesh head for 12" tom tom
- Mesh head for 16" floor tom
- Mesh head for 14" snare drum
- Cymbal mute for 14" hi-hat cymbal
- Cymbal mute for 14" or 16" cymbal
- Cymbal mute for 18" or 20" cymbal

SNARE DRUMS

TAMA has a wide variety of snare drum options to complement our array of drum kits. From our super high end STAR snare drums to the METALWORKS series, which offers quality at a great price, there is a model to fit every drummer's desired sound and budget.

For more information:



STAR BUBINGA



TBS1465S

MADE IN JAPAN

Please refer to the STAR Bubinga drum kit page to see available sizes, finishes, and inlay options.

Size: 14"x6.5"
Lug: MSL90S
Hoop: Die-Cast Hoop (8 hole)
Strainer/Butt: MLS50A/MLS50B
Snare Wire: 14"=MS20RL14C,
13"=MS20RL13C

Color: Natural Indian Laurel -LNTI

STAR MAPLE



TMS1465S

MADE IN JAPAN

Please refer to the STAR Maple drum kit page to see available sizes, finishes, and inlay options.

Lug: MSL90SC
Hoop: Die-Cast Hoop (8 hole)
Strainer/Butt: MLS50A/MLS50B
Snare Wire: 14"=MS20RL14C,
13"=MS20RL13C

Color: Gloss Natural Curly Maple -RGCM

STAR WALNUT



TWS1465

MADE IN JAPAN

Please refer to the STAR Walnut drum kit page to see available sizes and finishes.

Size: 14"x6.5"
Lug: MSL90S
Hoop: Die-Cast Hoop (8 hole)
Strainer/Butt: MLS50A/MLS50B
Snare Wire: 14"=MS20RL14C,
13"=MS20RL13C

Color: Garnet Japanese Sen Burst -AGJB

STAR SOLID MAPLE



TLM146S

MADE IN JAPAN

Shell: 8mm Solid Maple, with 8mm Sound Focus Rings
Size: 14"x6"
Lug: MSL90S
Hoop: Die-Cast Hoop (8 hole)
Strainer/Butt: MLS50A/MLS50B
Snare Wire: MS20RL14C
Color: Oiled Natural Maple (OMP)
[Inlay Option] Outside Inlay, or with Inlay

Color: Oiled Natural Maple -OMP

STAR SOLID MAHOGANY



TLH146S

MADE IN JAPAN

Shell: 7mm Solid Mahogany with 7mm Sound Focus Rings
Size: 14"x6"
Lug: MSL90S
Hoop: Die-Cast Hoop (8 hole)
Strainer/Butt: MLS50A/MLS50B
Snare Wire: MS20RL14C
Color: Oiled Natural Mahogany (OMH)
[Inlay Option] Outside Inlay, or with Inlay

Color: Oiled Natural Mahogany -OMH



SUED | HÄMATOM

STAR RESERVE BUBINGA/MAPLE



TMBS158S

MADE IN JAPAN

Shell: 5.6mm, 8ply Bubinga/Maple (1inner ply Cordia+2ply Bubinga+4ply Maple+1outer ply Olive Ash)
Size: 15"x8"
Lug: MSL90T
Hoop: Brass Mighty Hoop (8 hole)
Strainer/Butt: MLS50A / MLS50B
Snare Wire: MS20SN15S

Color: Caramel Olive Ash Burst (OCOB)

STAR STAVE WALNUT



TVW146S

MADE IN JAPAN

Shell: 10mm, 16pcs Stave Walnut
Size: 14"x6"
Lug: MSL90S
Hoop: Die-Cast Hoop (8 hole)
Strainer/Butt: MLS50A/MLS50B
Snare Wire: MS20RL14C
Color: Oiled Natural Walnut (OWN)
[Inlay Option] Outside Inlay, or with Inlay

Color: Oiled Natural Walnut -OWN

STAR RESERVE SOLID MAPLE



TLM145S

MADE IN JAPAN

Shell: 8mm Solid Maple with 8mm Solid Maple Sound Focus Rings
Size: 14"x5"
Lug: MTL150
Hoop: 2.3mm Brass Sound Arc Hoop (8 hole)
Strainer/Butt: MLS50A / MLS50B
Snare Wire: MS20RL14C8

Color: Oiled Natural Maple (OMP)

STAR RESERVE WALNUT/BUBINGA



TBWS1465S

MADE IN JAPAN

Shell: 5.5mm, 4ply Walnut + 2ply Bubinga + 1 outer ply Claro Walnut with Maple Sound Focus Rings
Size: 14"x6.5"
Lug: MTL160
Hoop: Sound Arc Hoop (10 Hole)
Strainer/Butt: MLS50A / MLS50B
Snare Wire: MS20RL14C

Color: Gloss Claro Walnut (GCW)

STAR RESERVE HAMMERED ALUMINUM



TAS1465H

MADE IN JAPAN

Shell: 3mm Hand Hammered Aluminum
Size: 14"x6.5"
Lug: MSL90SC
Hoop: Brass Sound Arc Hoop (8 hole)
Strainer/Butt: MLS50A / MLS50B
Snare Wire: MS20RL14C

STAR RESERVE STAVE JATOBA



TVJ147S

MADE IN JAPAN

Shell: 10mm, 16pcs Stave Jatoba
Size: 14"x7"
Lug: MTL160
Hoop: Die-Cast Hoop (8 Hole)
Strainer/Butt: MLS50A / MLS50B
Snare Wire: MS20RL14C

Color: Oiled Natural Jatoba (OJT)

STAR RESERVE HAMMERED COPPER



TCS1465H

MADE IN JAPAN

Shell: 1.5mm Hammered Copper
Size: 14"x6.5"
Lug: MSL90S
Hoop: Customized Brass Mighty Hoop (8 Hole)
Strainer/Butt: MLS50A / MLS50B
Snare Wire: MS20RL14C

STAR RESERVE STAVE ASH



TVA1465S

MADE IN JAPAN

Shell: 10mm/20pcs Stave Ash Shell
Size: 14"x6.5"
Lug: MSL90SC
Hoop: Sound Arc Hoop (10 hole)
Strainer/Butt: MLS50A / MLS50B
Snare Wire: MS20RL14C

Color: Oiled Amber Ash - OAA

STAR RESERVE HAMMERED BRASS



TBRS1455H

MADE IN JAPAN

Shell: 1.5mm Hand Hammered Brass
Size: 14"x5.5"
Lug: MSL90S
Hoop: Customized Brass Mighty Hoop (8 hole)
Strainer/Butt: MLS50A / MLS50B
Snare Wire: MS20RL14C

STAR RESERVE SOLID JAPANESE CEDAR



TLJC146

MADE IN JAPAN

Shell: 8mm Solid Japanese Cedar
Size: 14"x6"
Lug: MSL90SC
Hoop: Customized Brass Mighty Hoop (8 hole)
Strainer/Butt: MLS50A / MLS50B
Snare Wire: MS20SN14B

Color: Burnt Oiled Cedar - BOC



SIMON PHILLIPS | PROTOCOL V

STARPHONIC STEEL



PST146

MADE IN JAPAN

Shell: 1mm Steel
Size: 14"x6"
Lug: Freedom Lug
Hoop: Grooved Hoop
Strainer/Butt: MLS50A/MLS50B
Snare Wire: MS20RL14C

STARPHONIC STAINLESS STEEL



PSS146

MADE IN JAPAN

Shell: 1mm Stainless Steel with R.S.E.
Size: 14"x6"
Lug: Freedom Lug
Hoop: Grooved Hoop
Strainer/Butt: MLS50A/MLS50B
Snare Wire: MS20RL14C

STARPHONIC WALNUT



PWB147

MADE IN JAPAN

Shell: 6mm, 6ply American Black Walnut Shell + 1 outer ply Black Walnut Burl
Size: 14"x7"
Lug: Freedom Lug
Hoop: Grooved Hoop
Strainer/Butt: MLS50A/MLS50B
Snare Wire: MS20RL14C

Color: Gloss Black Walnut Burl -GWB

STARPHONIC MAPLE



PMM146

MADE IN JAPAN

Shell: 6mm, 6ply Maple + 1 Mappa Burl outer ply
Size: 14"x6"
Lug: Freedom Lug
Hoop: Grooved Hoop
Strainer/Butt: MLS50A/MLS50B
Snare Wire: MS20RL14C

Color: Satin Mappa Burl - STM

STARPHONIC BUBINGA



PBC146

MADE IN JAPAN

Shell: 7mm, 8ply Bubinga + 1 Cordia outer ply
Size: 14"x6"
Lug: Freedom Lug
Hoop: Grooved Hoop
Strainer/Butt: MLS50A/MLS50B
Snare Wire: MS20RL14C

Color: Matte Natural Cordia -MNC

STARPHONIC BRASS



PBR146

MADE IN JAPAN

Shell: 1.2mm Brass
Size: 14"x6"
Lug: Freedom Lug
Hoop: Grooved Hoop
Strainer/Butt: MLS50A/MLS50B
Snare Wire: MS20RL14C

STARPHONIC COPPER



PCP147

MADE IN JAPAN

Shell: 1.2mm Copper
Size: 14"x7"
Lug: Freedom Lug
Hoop: Grooved Hoop
Strainer/Butt: MLS50A/MLS50B
Snare Wire: MS20RL14C

STARPHONIC BELL BRASS



PBB146

MADE IN JAPAN

Shell: 3mm Bell Brass
Size: 14"x6"
Lug: Freedom Lug
Hoop: Grooved Hoop
Strainer/Butt: MLS50A/MLS50B
Snare Wire: MS20RL14C

STARPHONIC ALUMINUM



PAL146

MADE IN JAPAN

Shell: 1.2mm Seamless Aluminum
Size: 14"x6"
Lug: Freedom Lug
Hoop: Grooved Hoop
Strainer/Butt: MLS50A/MLS50B
Snare Wire: MS20RL14C



GERWIN EISENHAUER | INDEPENDENT

STARCLASSIC WALNUT/BIRCH DURACOVER WRAP FINISH



Color: Turquoise Pearl -TOP

WBRS65

Please refer to the Starclassic Walnut/Birch Duracover Wrap Finish drum kit page to see available sizes and finishes.

Lug: MSL-SCT
Hoop: Die-Cast Hoop
Strainer/Butt: MSL30A/MLS30B
Snare Wire: 14"=MS20RC14C,
13"=MS20RL13C

STARCLASSIC MAPLE EXOTIC FINISH



Color: Tobacco Sunburst Movingui -VTBV

MES1465U

Please refer to the Starclassic Maple Exotic Finishes drum kit page to see available sizes and finishes.

Size: 14"x6.5"
Lug: MSL-SCT
Hoop: Die-Cast Hoop
Strainer/Butt: MSL50A/MLS50B
Snare Wire: 14"=MS20RL14C,
13"=MS20RL13C

STARCLASSIC MAPLE LACQUER FINISH



Color: Antique Maple -ATM

MAS1455

Please refer to the Starclassic Maple Lacquer Finishes drum kit page to see available sizes and finishes. Antique Maple (ATM) is also available.

Size: 14"x5.5"
Lug: MSL-SCT
Hoop: Die-Cast Hoop
Strainer/Butt: MSL50A/MLS50B
Snare Wire: 14"=MS20RL14C,
13"=MS20RL13C

STARCLASSIC MAPLE DURACOVER WRAP FINISH



Color: Blue and White Oyster -BWO

MRS136

Please refer to the Starclassic Maple Duracover Wrap Finishes drum kit page to see available sizes and finishes.

Size: 13"x6"
Lug: MSL-SCT
Hoop: Die-Cast Hoop
Strainer/Butt: MSL50A/MLS50B
Snare Wire: 14"=MS20RL14C,
13"=MS20RL13C

STARCLASSIC WALNUT/BIRCH LACQUER FINISH



Color: Molten Blue Icefade - MBI

WBSS65

Please refer to the Starclassic Walnut/Birch Lacquer Finishes drum kit page to see available sizes and finishes.

Size: 14"x6.5"
Lug: MSL-SCT
Hoop: Die-Cast Hoop
Strainer/Butt: MCS70A/MCS70B
Snare Wire: 14"=MS20R14S, 13"=MS20R13S

STARCLASSIC PERFORMER LACQUER FINISH



Color: Sky Blue Aurora - SKA

MBSS65

Please refer to the Starclassic Performer Maple Birch Lacquer Finishes drum kit page to see available sizes and finishes.

Size: 14"x6.5"
Lug: MSL-SCT
Hoop: Die-Cast Hoop
Strainer/Butt: MCS70A/MCS70B
Snare Wire: 14"=MS20R14S, 13"=MS20R13S



TIM NOEL COX | LEA

S.L.P. G-MAPLE



LGM146

Shell: 11mm, 12ply Maple + 1 outer ply Mappa Burl
Mappa Burl
Size: 14"x6"
Lug: MSL-SCTBN
Hoop: Steel Mighty Hoop (10 Hole)
Strainer/Butt: MLS50ABN / MLS50BBN
Snare Wire: MS20RL14C

Color: Kona Mappa Burl -KMB

S.L.P. G-MAPLE



LGM137

Shell: 10mm, 11ply Maple + 1 outer ply Tamo Ash
Ash
Size: 13"x7"
Lug: MTL60
Hoop: Die-Cast Hoop (8 hole)
Strainer/Butt: MLS50A/MLS50B
Snare Wire: MS20SN13C

Color: Satin Tamo Ash (STA)

S.L.P. G-WALNUT



LGW1465

Shell: 9mm, 10ply Walnut
Size: 14"x6.5"
Lug: MTL60
Hoop: Sound Arc Hoop (10 hole)
Strainer/Butt: MLS50A/MLS50B
Snare Wire: MS30R14S
Color: Matte Black Walnut (MBW)

Color: Matte Black Walnut -MBW

S.L.P. FAT SPRUCE



LSP146

Shell: 7mm, 8ply Spruce
Size: 14"x6"
Lug: MTL60
Hoop: Die-Cast Hoop (8 hole)
Strainer/Butt: MLS50A/MLS50B
Snare Wire: MS20RL14C
Color: Wild Satin Spruce (WSS)

Color: Wild Satin Spruce -WSS

S.L.P. DUO BIRCH



LBH1410L

Shell: 7mm, 7ply Birch
Size: 14"x10"
Lug: MSL-SCT
Hoop: Sound Arc Hoop (8 hole)
Strainer/Butt: MCS70A/MCS70B
Snare Wire: MS20R14S
*MTB25E Brackets are equipped.
*MFLSL3P Legs are Included.

Color: Transparent Mocha -TPM

S.L.P. CLASSIC MAPLE



LMP1455

Shell: 7mm, 8ply Maple
Size: 14"x5.5"
Lug: MTL50
Hoop: Sound Arc Hoop (10 hole)
Strainer/Butt: MLS50A/MLS50B
Snare Wire: MS20RL14C
Color: Super Maple (SMP)

Color: Super Maple -SMP

S.L.P.

SOUND LAB PROJECT



DARIUSZ "DARAY" BRZOZOWSKI | DIMMU BORGIR, HUNTER

S.L.P. DYNAMIC BRONZE



LBZ1445

Shell: 1.2mm Antique Aged Bronze
 Size: 14"x4.5"
 Lug: MSL-SCPBN
 Hoop: Die-Cast Hoop (8 hole)
 Strainer/Butt: MCS70ABN/MCS70BBN
 Snare Wire: MS20SN14C

S.L.P. STUDIO MAPLE



LMP1465F

Shell: 5mm, 6ply Maple with Sound Focus Rings
 Size: 14"x6.5"
 Lug: MSL-SCT
 Hoop: 100% Maple Wood Hoop (8 hole)
 Strainer/Butt: MLS50A/MLS50B
 Snare Wire: MS20SN14S

Color: Gloss Sienna -SEN

S.L.P. CLASSIC DRY ALUMINUM



LAL1455

Shell: 1.2mm Seamless Aluminum
 Size: 14"x5.5"
 Lug: MCHL5S
 Hoop: Steel Mighty Hoop (8 hole)
 Strainer/Butt: MCS70A/MCS70B
 Snare Wire: MS20RL14C

S.L.P. BLACK BRASS



LBR1465

Shell: 1.5mm Brass | Black Nickel
 Size: 14"x6.5"
 Lug: MSL-SCTBN
 Hoop: Steel Mighty Hoop (10 hole)
 Strainer/Butt: MCS70ABN/MCS70BBN
 Snare Wire: MS42R14S

S.L.P. BIG BLACK STEEL



LST148

Shell: 1mm Steel Shell in Matte Black Finish
 Size: 14"x8"
 Lug: MSL35BN
 Hoop: Steel Mighty Hoop (10 hole)
 Strainer/Butt: MCS70ABN/MCS70BBN
 Snare Wire: MS20SN14S

S.L.P. EXPRESSIVE HAMMERED STEEL



LST146H

NEW

Shell: 1.2mm Hammered Steel
 Size: 14"x6"
 Lug: MCHL5SBN
 Hoop: 2.3mm Steel Mighty Hoop (10 hole)
 Strainer/Butt: MLS30ABN/MLS30BBN
 Snare Wire: MS20SN14S

S.L.P. G-BUBINGA



LGB146

Shell: 10mm, 11ply Bubinga + 1 outer ply Quilted Bubinga
 Size: 14"x6"
 Lug: MSL-SCTBN
 Hoop: Steel Mighty Hoop (10 Hole)
 Strainer/Butt: MLS50ABN / MLS50BBN
 Snare Wire: MS20SN14S
 Color: Natural Quilted Bubinga (NOB)

Color: Natural Quilted Bubinga -NOB



LEON STILLER | ANY GIVEN DAY

WOODWORKS



WP1455BK

Color: Black Oak Wrap (BOW)

WP1455NZW

Color: Natural ZebraWood Wrap (NZW)

Shell: 8mm, 8ply Poplar

Size: 14"x5.5"

Lug: MSL60SBK

Hoop: Triple Flanged Hoop (8 hole)

Strainer/Butt: MUS65ABK/MUS60BBK

Snare Wire: MS20R14S

Color: Black Oak Wrap (BOW)

WOODWORKS



Color: Natural ZebraWood Wrap (NZW)

WP1465NZW

Color: Natural ZebraWood Wrap (NZW)

WP1465BK

Color: Black Oak Wrap (BOW)

Shell: 8mm, 8ply Poplar

Size: 14"x6.5"

Lug: MSL60SBK

Hoop: Triple Flanged Hoop (8 hole)

Strainer/Butt: MUS65ABK/MUS60BBK

Snare Wire: MS20R14S

WOODWORKS



Color: Black Oak Wrap (BOW)

WP148BK

Color: Black Oak Wrap (BOW)

WP148NZW

Color: Natural ZebraWood Wrap (NZW)

Shell: 8mm, 8ply Poplar

Size: 14"x8"

Lug: MSL60SBK

Hoop: Triple Flanged Hoop (8 hole)

Strainer/Butt: MUS65ABK/MUS60BBK

Snare Wire: MS20R14S

METALWORKS



BST1055MBK

Shell: 1mm Steel

Size: 10"x5.5"

Lug: MSL60SBK

Hoop: Triple Flanged Hoop (6 hole)

Strainer/Butt: MUS65ABK/MUS60BBK

Snare Wire: MS16R10S

*Tom bracket is equipped.

METALWORKS



BST134BK

Shell: 1mm Steel

Size: 13"x4"

Lug: MSL-SCPBK

Hoop: Triple Flanged Hoop (6 hole)

Strainer/Butt: MUS65ABK/MUS60BBK

Snare Wire: MS20R13S

METALWORKS



BST1455BK

Shell: 1mm Steel

Size: 14"x5.5"

Lug: MSL60SBK

Hoop: Triple Flanged Hoop (8 hole)

Strainer/Butt: MUS65ABK/MUS60BBK

Snare Wire: MS20R14S

METALWORKS



BST1465BK

Shell: 1mm Steel

Size: 14"x6.5"

Lug: MSL60SBK

Hoop: Triple Flanged Hoop (8 hole)

Strainer/Butt: MUS65ABK/MUS60BBK

Snare Wire: MS20R14S

METALWORKS "EFFECT" MINI-TYMP SNARE DRUMS



BST63MBK

Shell: 1mm Steel
Size: 6"x3"
Lug: MSL80TBK
Hoop: Triple Flanged Hoop (4 hole)
Snare Wire: Mod Tone System with Snare Wire
*Tom bracket is equipped.
*MC69 single tom attachment is included.

METALWORKS "EFFECT" MINI-TYMP SNARE DRUMS



BST83MBK

Shell: 1mm Steel
Size: 8"x3"
Lug: MSL80TBK
Hoop: Triple Flanged Hoop (4 hole)
Snare Wire: Mod Tone System with Snare Wire
*Tom bracket is equipped.
*MC69 single tom attachment is included.

METALWORKS "EFFECT" MINI-TYMP SNARE DRUMS



BST103MBK

Shell: 1mm Steel
Size: 10"x3"
Lug: MSL80TBK
Hoop: Triple Flanged Hoop (6 hole)
Snare Wire: Mod Tone System with Snare Wire
*Tom bracket is equipped.
*MC69 single tom attachment is included.

METALWORKS "EFFECT" MINI-TYMP SNARE DRUMS



BST143MBK

Shell: 1mm Steel
Size: 14"x3"
Lug: MSL80TBK
Hoop: Triple Flanged Hoop (6 hole)
Snare Wire: Mod Tone System with Snare Wire
*Tom bracket is equipped.
*MC69 single tom attachment is included.



SASCHA MADSEN | MADSEN, MUSA DAGH

CONCERT SNARE DRUMS

We offer Concert Percussion lineup with snare drums, toms, and hardware. STARPHONIC Concert Snare Drums are built to the absolute pinnacle of quality and design, and they carry a sound that's to be expected from any instrument bearing the name TAMA.

For more Information:



BILL PLATT SIGNATURE



BP146

[MADE IN JAPAN](#)

Shell: 3mm Bell Brass w/3 Air Vents
Size: 14"x6"
Lug: Freedom Lug
Hoop: Grooved Straight Hoop
Strainer/Butt: MLS50AD/MLS50BD w/Multi Snare Frame
Snare Wire: Three Different Snare Wires
Nickel Wound Round Guitar String (6 strands)
Black Nylon Coated Stainless Steel Wire (6 strands)
Uncoated Stainless Steel Straight Wire (6 strands)

STARPHONIC BUBINGA BRAVURA CONCERT



CBC146MF

[MADE IN JAPAN](#)

Shell: 7mm, 7ply 100% Bubinga + 1 outer ply Cordia
Size: 14" x 6"
Lug: Freedom Lug
Hoop: Grooved Straight Hoop
Strainer/Butt: MLS50AD/MLS50BD w/Multi Snare Frame
Snare Wire: Three Different Snare Wires
Nickel Wound Round Guitar String (6 strands)
Black Nylon Coated Stainless Steel Wire (6 strands)
Stainless Steel Wire (6 strands)
Color: Gloss Natural Cordia (GNC)

Color: Gloss Natural Cordia -GNC

CONCERT SNARE DRUM - STARPHONIC BRAVURA



CMP146MF

MADE IN JAPAN

Shell: 6mm, 7ply 100% Maple
Size: 6"x14"
Lug: Freedom Lug
Hoop: Grooved Straight Hoop (10 hole)
Strainer: MLS50AD with Multi Snare Frame
Butt: MLS50BD with Multi Snare Frame
Snare Wire: Three Different Snare Wires
Nickel Wound Round Guitar String (6 strands)
Black Nylon Coated Stainless Steel Wire (6 strands)
Hi-Carbon Coil Snare Wire (6 strands)
Color: Piano Black (PBK), Gloss Mocha Brown (GMC)

CONCERT SNARE DRUM - STARPHONIC



CMP146

MADE IN JAPAN

Shell: 6mm, 7ply 100% Maple
Size: 6"x14"
Lug: Freedom Lug
Hoop: Grooved Straight Hoop (10 hole)
Strainer: MLS50AC Linear-Drive Strainer
Butt: MLS50BC
Snare Wire: Hybrid Snare Wire
Nickel Wound Round Guitar String (6 strands in the center)
Black Nylon Coated Stainless Steel Wire (3 strands each outside)
Color: Piano Black (PBK), Gloss Cherry Red (GCR)

CONCERT SNARE DRUM - STARPHONIC



CAL146MF

MADE IN JAPAN

Shell: 3mm Aluminum
Size: 6"x14"
Lug: Freedom Lug
Hoop: Grooved Straight Hoop (10 hole)
Strainer: MLS50AD with Multi Snare Frame
Butt: MLS50BD with Multi Snare Frame
Snare Wire: Three Different Snare Wires
3 Air Vents
Nickel Wound Round Guitar String (6 strands)
Black Nylon Coated Stainless Steel Wire (6 strands)
Hi-Carbon Coil Snare Wire (6 strands)

CONCERT SNARE DRUM - STARPHONIC



CAL146

MADE IN JAPAN

Shell: 3mm Aluminum
Size: 6"x14"
Lug: Freedom Lug
Hoop: Grooved Straight Hoop (10 hole)
Strainer: MLS50AC with Fine Adjuster
Butt: MLS50BC
Snare Wire: Hybrid Snare Wire
3 Air Vents
Nickel Wound Round Guitar String (6 strands in the center)
Black Nylon Coated Stainless Steel Wire (3 strands each outside)

CONCERT SNARE DRUM



CLMP145-PBK

MADE IN JAPAN

Shell: 7ply, 6mm Maple
Size: 5"x14"
Lug: MTL50
Hoop: Steel Mighty Hoop (10 hole)
Strainer: MLS50AC with Fine Adjuster
Butt: MLS50BC
Snare Wire: Hybrid Snare Wire
3 Air Vents
Nickel Wound Round Guitar String (6 strands in the center)
Black Nylon Coated Stainless Steel Wire (3 strands each outside)
Color: Piano Black (PBK)

CONCERT SNARE DRUM



CLMP145-VAM

MADE IN JAPAN

Shell: 7ply, 6mm Maple
Size: 5"x14"
Lug: MTL50
Hoop: Steel Mighty Hoop (10 hole)
Strainer: MLS50AC with Fine Adjuster
Butt: MLS50BC
Snare Wire: Hybrid Snare Wire
3 Air Vents
Nickel Wound Round Guitar String (6 strands in the center)
Black Nylon Coated Stainless Steel Wire (3 strands each outside)
Color: Vintage Antique Maple (VAM)

CONCERT SNARE DRUM



CLMP1465-PBK

MADE IN JAPAN

Shell: 7ply, 6mm Maple
Size: 6.5"x14"
Lug: MTL60
Hoop: Steel Mighty Hoop (10 hole)
Strainer: MLS50AC with Fine Adjuster
Butt: MLS50BC
Snare Wire: Hybrid Snare Wire
3 Air Vents
Nickel Wound Round Guitar String (6 strands in the center)
Black Nylon Coated Stainless Steel Wire (3 strands each outside)
Color: Piano Black (PBK)

CONCERT SNARE DRUM



CLMP1465-VAM

MADE IN JAPAN

Shell: 7ply, 6mm Maple
Size: 6.5"x14"
Lug: MTL60
Hoop: Steel Mighty Hoop (10 hole)
Strainer: MLS50AC with Fine Adjuster
Butt: MLS50BC
Snare Wire: Hybrid Snare Wire
3 Air Vents
Nickel Wound Round Guitar String (6 strands in the center)
Black Nylon Coated Stainless Steel Wire (3 strands each outside)
Color: Vintage Antique Maple (VAM)

CONCERT SNARE DRUM - STARPHONIC BRAVURA



CWN1414MF

MADE IN JAPAN

Shell: 6mm, 6ply 100% Walnut
Size: 14"x14"
Lug: Freedom Lug
Hoop: Grooved Straight Hoop (10 tension)
Strainer: MLS50AD with Multi Snare Frame
Butt: MLS50BD with Multi Snare Frame
Snare Wire: Three Different Snare Wires
Nickel Wound Round Guitar String (6 strands)
Black Nylon Coated Stainless Steel Wire (6 strands)
Hi-Carbon Coil Snare Wire (6 strands)

Color: Gloss Black Walnut



PETER ERSKINE



PE1445

Shell: 6mm, 4ply Spruce + 2 inner ply Maple
Size: 14"x4.5"
Lug: STAR Tube Lug
Hoop: 2.3mm Sound Arc Hoop (8 Hole)
Strainer/Butt: MLS50A / MLS50B
Snare Wire: MS20RL14C



PE106M

Shell: 10mm, 12pcs Stave Ash
Size: 10"x6"
Lug: MSL90S
Hoop: Die-Cast Hoop (6 Hole)
Strainer/Butt: MLS50A / MLS50B
Snare Wire: MS20SN10S
Super Resonant Mounting System Equipped

MIKE PORTNOY



MP125ST

Shell: 1mm Steel (Hammered Matte Black)
Size: 12"x5"
Lug: MSL-SCT
Hoop: Die-Cast Hoop (6 hole)
Strainer/Butt: MCS100A/MCS70B
Snare Wire: MS20SN12S



MP1455ST

Shell: 1mm Steel (Hammered Matte Black)
Size: 14"x5.5"
Lug: MSL-SCT
Hoop: Die-Cast Hoop (8 hole)
Strainer/Butt: MCS100A/MCS70B
Snare Wire: MS20SN14S



MP1455BU

Shell: 8mm, 9ply Bubinga
Size: 14"x5.5"
Lug: MSL-SCT
Hoop: Die-Cast Hoop (8 hole)
Strainer/Butt: MCS100A/MCS70B
Snare Wire: MS20SN14S

LARS ULRICH



LU1465N

Shell: 3mm Diamond Plate Steel
Size: 14"x6.5"
Lug: MSL35 (Chrome)
Hoop: Die-Cast Hoop (10 hole)
Strainer/Butt: MLS50A/MLS50B (Chrome)
Snare Wire: MS20SN14S

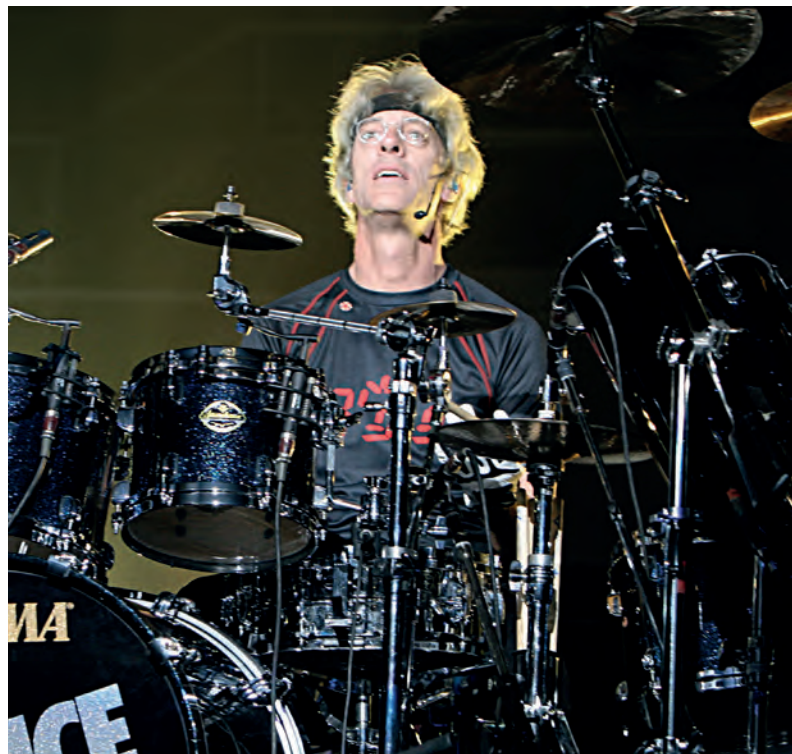


STEWART COPELAND



SC145

Shell: 1.5mm Brass | Chrome Finish
Size: 14"x5"
Lug: MSL35 (Chrome)
Hoop: Die-Cast Hoop (10 hole, batter side)/steel
Mighty Hoop (10 hole, snare side)
Strainer/Butt: MLS50A / MLS50B
Snare Wire: MS20SN14S



CHARLIE BENANTE



CB1465

Shell: 1.2mm Stainless Steel
Size: 14"x6.5"
Lug: MSL35BN
Hoop: Die-Cast Hoop (10 hole)
Strainer/Butt: MLS50ABN/MLS50BBN (Black Nickel)
Snare Wire: MS20SN14S

JOHN TEMPESTA



JT147

Shell: 2mm Brass
Size: 14"x7"
Lug: MSL-SCTBN
Hoop: Die-Cast Hoop (10 hole)
Strainer/Butt: MLS50ABN/MLS50BBN (Black Nickel)
Snare Wire: MS42R14S



DRUM PEDALS

Our Iron Cobra pedals have long been praised for being smooth, reliable, and independently adjustable. Iron Cobra pedals are offered in the high end 900 series as well as the standard 600 and 200 models. Speed Cobra 910 and 310 drum pedals feature a longer footboard for a lighter, quicker feel. Our drum pedal range is designed to fit the needs of every drummer.

For more Information:



Dyna-Sync

speedcobra EXTREME VELOCITY. SERIOUS POWER.

DYNA-SYNC TWIN PEDAL



HPDS1TW

- Optimized Transmission Design
- Dual Linkage
- Slidable Cam
- Footboard Angle Adjustment
- Dyna Beater
- Swivel Spring Tight
- Speedo-Ring
- Oiles Bearing Hinge
- Para-Clamp II Pro
- Sync-Coil
- Hinge Guard Block
- Hardshell Carrying Case

SPEED COBRA 910 SINGLE PEDAL



HP910LN

- Long Footboard
- Recessed Setting
- Rolling Glide LiteSprocket Cam
- Accu-Strike Cobra Beater
- Swivel Spring Tight
- Super Stabilizer Design
- Para-Clamp II Pro
- Cobra Coil
- Hinge Guard Block
- Hardshell Carrying Case

DYNA-SYNC TWIN PEDAL - LEFT-FOOTED



HPDS1TWL

- Optimized Transmission Design
- Dual Linkage
- Slidable Cam
- Footboard Angle Adjustment
- Dyna Beater
- Swivel Spring Tight
- Speedo-Ring
- Oiles Bearing Hinge
- Para-Clamp II Pro
- Sync-Coil
- Hinge Guard Block
- Hardshell Carrying Case
- Left-Footed

SPEED COBRA 910 TWIN PEDAL



HP910LWLN

- Left-Footed
- Long Footboard
- Recessed Setting
- Rolling Glide LiteSprocket Cam
- Accu-Strike Cobra Beater
- Swivel Spring Tight
- Super Stabilizer Design
- Para-Clamp II Pro
- Cobra Coil
- Hinge Guard Block
- Hardshell Carrying Case

DYNA-SYNC SINGLE PEDAL



HPDS1

- Optimized Transmission Design
- Dual Linkage
- Slidable Cam
- Footboard Angle Adjustment
- Dyna Beater
- Swivel Spring Tight
- Speedo-Ring
- Oiles Bearing Hinge
- Para-Clamp II Pro
- Sync-Coil
- Hinge Guard Block
- Hardshell Carrying Case

SPEED COBRA 910 TWIN PEDAL



HP910LWLN

- Long Footboard
- Recessed Setting
- Rolling Glide LiteSprocket Cam
- Accu-Strike Cobra Beater
- Swivel Spring Tight
- Super Stabilizer Design
- Para-Clamp II Pro
- Cobra Coil
- Hinge Guard Block
- Hardshell Carrying Case



MARIO STÜBLER | THE WEIGHT, CHRISTINA KOSIK, ENGL MAYR TRIO

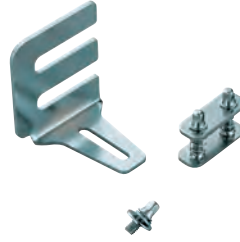
IRON COBRA 900 SINGLE PEDAL -POWER GLIDE-



HP900PN

- Power Glide LiteSprocket Cam
- Power-Strike Cobra Beater
- Swivel Spring Tight
- Super Stabilizer Design
- Para-Clamp II Pro
- Cobra Coil
- Hinge Guard Block
- Hardshell Carrying Case

TWIN PEDAL ATTACHMENT



TPA90

Specially designed attachment to connect Speed Cobra 910 and Iron Cobra 900 series pedals with Speed Cobra 910 and Iron Cobra 900 series Hi-hat stands.

IRON COBRA 900 TWIN PEDAL -POWER GLIDE-



HP900PWN

- Power Glide LiteSprocket Cam
- Power-Strike Cobra Beater
- Swivel Spring Tight
- Super Stabilizer Design
- Para-Clamp II Pro
- Cobra Coil
- Hinge Guard Block
- Hardshell Carrying Case

IRON COBRA 600 SINGLE PEDAL -DUO GLIDE-



HP600D

- Duo Glide
- Double Chain Drive
- Speedo-Ring
- Para-Clamp
- Spring Tension Adjustment
- Beater Angle Adjustment
- Dual Sided Beater

IRON COBRA 900 TWIN PEDAL -POWER GLIDE-



HP900PWLN

- Left-Footed
- Power Glide LiteSprocket Cam
- Power-Strike Cobra Beater
- Swivel Spring Tight
- Super Stabilizer Design
- Para-Clamp II Pro
- Cobra Coil
- Hinge Guard Block
- Hardshell Carrying Case

IRON COBRA 600 TWIN PEDAL -DUO GLIDE-



HP600DTW

- Duo Glide
- Double Chain Drive
- Speedo-Ring
- Para-Clamp
- Spring Tension Adjustment
- Beater Angle Adjustment
- Dual Sided Beater

IRON COBRA 900 TWIN PEDAL -ROLLING GLIDE-



HP900RWN

- Rolling Glide LiteSprocket Cam
- Power-Strike Cobra Beater
- Swivel Spring Tight
- Super Stabilizer Design
- Para-Clamp II Pro
- Cobra Coil
- Hinge Guard Block
- Hardshell Carrying Case

SPEED COBRA 310 TWIN PEDAL



HP310LW

- Long Footboard
- Recessed Setting
- Rolling Glide LiteSprocket
- Double Chain Drive
- Spring Tension Adjustment
- Beater Angle Adjustment
- Dual Sided Beater

IRON COBRA 900 SINGLE PEDAL -ROLLING GLIDE-



HP900RN

- Rolling Glide LiteSprocket Cam
- Power-Strike Cobra Beater
- Swivel Spring Tight
- Super Stabilizer Design
- Para-Clamp II Pro
- Cobra Coil
- Hinge Guard Block
- Hardshell Carrying Case

SPEED COBRA 310 SINGLE PEDAL



HP310L

- Long Footboard
- Recessed Setting
- Rolling Glide LiteSprocket
- Double Chain Drive
- Spring Tension Adjustment
- Beater Angle Adjustment
- Dual Sided Beater

IRON COBRA 200 TWIN PEDAL



HP200PTW

- Power Glide
- Spring Tension Adjustment
- Beater Angle Adjustment
- Dual Sided Beater

IRON COBRA 200 TWIN PEDAL



HP200PTWL

- Left-Footed
- Power Glide
- Spring Tension Adjustment
- Beater Angle Adjustment
- Dual Sided Beater

IRON COBRA 200 SINGLE PEDAL



HP200P

- Power Glide
- Spring Tension Adjustment
- Beater Angle Adjustment
- Dual Sided Beater

STANDARD SINGLE PEDAL



HP30

- Power Glide
- Spring Tension Adjustment
- Beater Angle Adjustment
- Dual Sided Beater

STANDARD TWIN PEDAL - HP30TW



HP30TW

- Power Glide
- Spring Tension Adjustment
- Beater Angle Adjustment
- Dual Sided Beater

THE CLASSIC PEDAL



HP50

- Center Strike Height Adjust
- Easy Access Spring Adjustment
- The Classic Beater
- Smooth Surface Footboard
- Individual Adjustment of Beater & Footboard Angle
- Easy-Tight Hoop Clamp
- Compact Folding Design



CHRISTIN NEDDENS | NDR BIG BAND



ANDI BRÜGGE | BROILERS



CHRISTIAN BASS | HEAVEN SHALL BURN



MAX ZIMMER | ITCHY

HI-HAT STANDS

In addition to bass drum pedals, we offer various hi-hat stands including our high end Dyna-Sync, Iron Cobra & Speed Cobra models as well as our standard Stage Master models.

For more information:



DYNA-SYNC HI-HAT STAND



HHDS1

- Direct Drive Action
- Spring Damper for Reducing Noise
- Quick-Set Hi-Hat Clutch
- 6-way Tension Adjustment
- Footboard Angle Adjustment
- Bigger Rubber Feet with Duo-Spike
- Weight: 5.2kg (11.7lbs)
- Height Adjustment Range:
745mm-960mm (29 3/8" - 37 3/4") (Standard Rod) /
745mm-810mm (29 3/8" - 31 7/8") (Short Rod)

SPEED COBRA 910 HI-HAT STAND - LEVER GLIDE



HH915D

- Spring Seat
- Quick-Set Hi-Hat Clutch
- 6-way Tension Adjustment
- Bigger Rubber Feet with Duo-Spike
- Weight: 5.2kg (11.7lbs)
- Height Adjustment Range:
745mm-960mm (29 3/8" - 37 3/4") (Standard Rod) /
745mm-810mm (29 3/8" - 31 7/8") (Short Rod)

IRON COBRA 900 HI-HAT STAND -LEVER GLIDE



HH905D

- Spring Seat
- Quick-Set Hi-Hat Clutch
- 6-way Tension Adjustment
- Bigger Rubber Feet with Duo-Spike
- Weight: 5.2kg (11.7lbs)
- Height Adjustment Range:
745mm-960mm (29 3/8" - 37 3/4") (Standard Rod) /
745mm-810mm (29 3/8" - 31 7/8") (Short Rod)

IRON COBRA 900 HI-HAT STAND -VELO GLIDE



HH805D

- Spring Seat
- Quick-Set Hi-Hat Clutch
- 6-way Tension Adjustment
- Bigger Rubber Feet with Duo-Spike
- Weight: 5.2kg (11.7lbs)
- Height Adjustment Range:
745mm-960mm (29 3/8" - 37 3/4") (Standard Rod) /
745mm-810mm (29 3/8" - 31 7/8") (Short Rod)

IRON COBRA 900 REMOTE HI-HAT STAND



HH905RH

- JAGWIRE™ Triple-Layered Ultra-Smooth Cable
- Quick-Set Hi-Hat Clutch
- Lever Glide
- 6-way Tension Adjustment
- MC66 Universal Clamp
- Ratchet Arm (Φ12mm, Arm Length: 200mm)
- Dual Leg
- Cable Holders (x 6)
- Carrying Bag
- Weight: 8.1kg (17lbs)

IRON COBRA 600 HI-HAT STAND



HH605

- Spring Seat
- Swing Lock Clutch
- 6-way Tension Adjustment
- Swivel Foot
- Direct Pull Action
- Footboard Angle Adjustment
- Weight: 4.3kg (9.7lbs)
- Height Adjustment Range: 710mm-930mm (28" - 36 5/8")

SPEED COBRA 310 HI-HAT STAND



HH315D

- Dual Leg
- 28.6mm Diameter Base Section Tubing
- Security Clutch
- 6-way Tension Adjustment
- Swivel Foot
- Direct Pull Action
- Weight: 3.9kg (8.9lbs)
- Height Adjustment Range: 710mm-930mm (28" - 36 5/8")

IRON COBRA 200 HI-HAT STAND



HH205

- Double Braced Legs
- 5-way Tension Adjustment
- Swivel Foot
- Direct Pull Action
- Non-Loosening Tension Rod
- Toe Guard
- Security Clutch
- Weight: 3.8kg (8.6lbs)
- Height Adjustment Range: 670mm-930mm (26 3/8" - 36 5/8")



STAGE MASTER HI-HAT STAND



HH45WN

- Double Braced Legs
- Swivel Foot
- Direct Pull Action
- Non-Loosening Tension Rod
- Toe Guard
- Security Clutch
- Weight: 3.4kg (7.6lbs)
- Height Adjustment Range: 670mm-930mm (26 3/8" - 36 5/8")

IRON COBRA 200 HI-HAT STAND



HH205S

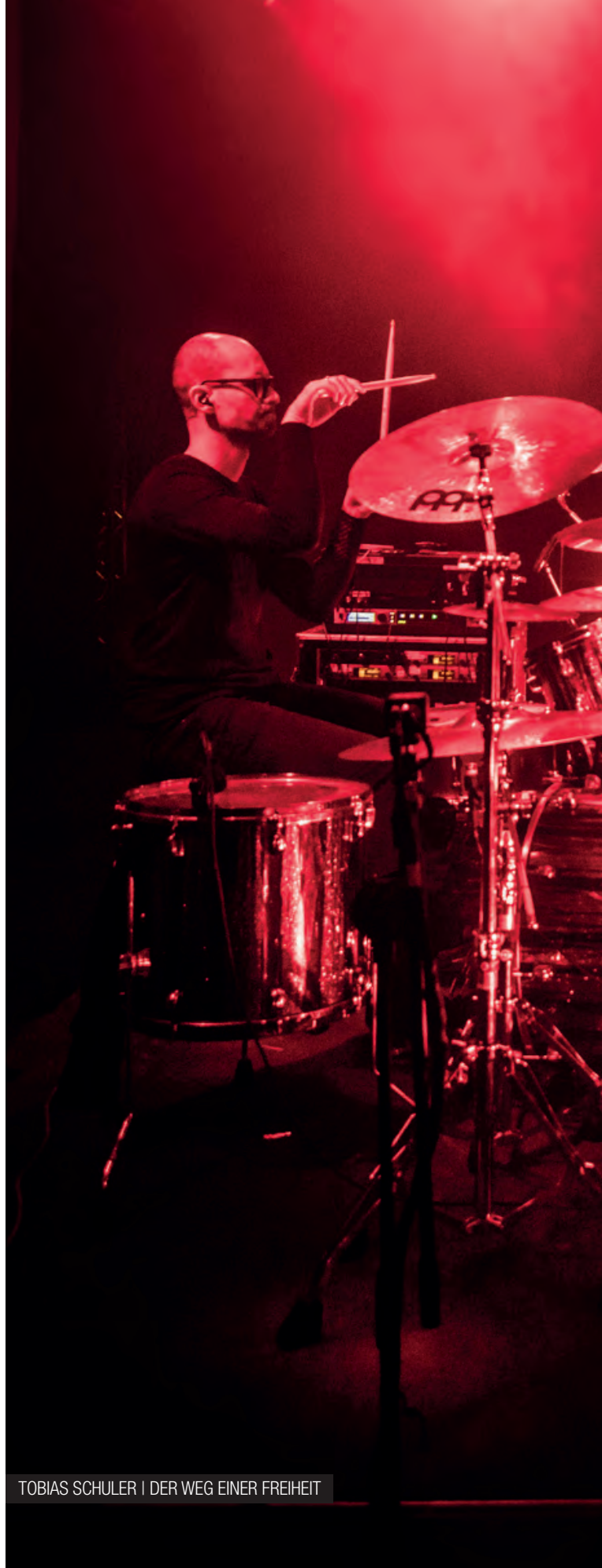
- Single Braced Legs
- 5-way Tension Adjustment
- Swivel Foot
- Direct Pull Action
- Non-Loosening Tension Rod
- Toe Guard
- Security Clutch
- Weight: 3.1kg (6.8lbs)
- Height Adjustment Range: 670mm-930mm (26 3/8" - 36 5/8")

THE CLASSIC HI-HAT STAND



HH55F

- Single Braced Flat Base Tripod Legs
- Individual Adjustment of Spring Tension & Footboard Angle
- Knurling on Base Pipe
- Memory Lock
- Weight: 2.3kg (5.1 lbs)
- Height Adjustment Range: 650mm-950mm (24 5/8" - 37 3/8")
- Storage size: 500mm (19 11/16") (upper section) / 600mm (23 5/8") (lower section)



TOBIAS SCHULER | DER WEG EINER FREIHEIT

DRUM THRONES

For more information:



Being comfortable on your drum set is one of the most important aspects of drumming, making the drum throne a vital yet often overlooked piece of equipment. Our ergonomic 1st Chair Drum Thrones have many original TAMA features to guarantee comfort, stability and quick as well as easy setup.

1ST CHAIR ROUND RIDER XL DRUM THRONE -CLOTH TOP



HT850BC

Round Rider XL "Cloth Top" Seat
 -15" Diameter, 130mm (5 1/8") Thick Round Seat
 -HYDRAULIX
 -Seat Lock
 -Oversized Rubber Feet
 -Foot Life
 -Weight: 6.0kg (13.3lbs)
 -Height Adjustment Range: 515mm - 695mm
 (21 1/4" - 27 3/8")

1ST CHAIR ROUND RIDER XL DRUM THRONE



HT830R

Round Rider XL Seat
 -15" Diameter, 130mm (5 1/8") Thick Round Seat
 -1st Chair Height Adjustment
 -Seat Lock
 -Glide-Tite Grip Joint
 -Rocklok
 -Oversized Rubber Feet
 -Foot Life
 -Weight: 6.0kg (13.3lbs)
 -Height Adjustment Range: 515mm - 670mm
 (21 1/4" - 26 3/8")

1ST CHAIR ROUND RIDER XL DRUM THRONE



HT830B

Round Rider XL Seat
 -15" Diameter, 130mm (5 1/8") Thick Round Seat
 -1st Chair Height Adjustment
 -Seat Lock
 -Glide-Tite Grip Joint
 -Rocklok
 -Oversized Rubber Feet
 -Foot Life
 -Weight: 6.0kg (13.3lbs)
 -Height Adjustment Range: 515mm - 670mm
 (21 1/4" - 26 3/8")

1ST CHAIR ERGO-RIDER DRUM THRONE -CLOTH TOP



HT750BC

Ergo-Rider "Cloth Top" Seat
 -HYDRAULIX
 -Seat Lock
 -Oversized Rubber Feet
 -Foot Life
 -Weight: 6.1kg (13.7lbs)
 Height Adjustment Range: 505mm - 685mm
 (19 7/8" - 27")

1ST CHAIR ERGO-RIDER DRUM THRONE



HT730B

Ergo-Rider Seat
 -1st Chair Height Adjustment
 -Seat Lock
 -Glide-Tite Grip Joint
 -Rocklok
 -Oversized Rubber Feet
 -Foot Life
 -Weight: 6.1kg (13.7lbs)
 -Height Adjustment Range: 505mm - 660mm
 (19 7/8" - 26")

1ST CHAIR ERGO-RIDER DRUM THRONE -QUARTET



HT741B

Ergo-Rider Seat
 -1st Chair Height Adjustment
 -Seat Lock
 -Backrest
 -Glide-Tite Grip Joint
 -Rocklok
 -Oversized Rubber Feet
 -Foot Life
 -Weight: 9.4kg (20.1lbs)
 -Height Adjustment Range: 515mm - 665mm
 (20 1/4" - 26 3/8")

1ST CHAIR GLIDE RIDER DRUM THRONE -CLOTH TOP



HT550BCN

Glide Rider "Cloth Top" Seat
 -HYDRAULIX
 -Seat Lock
 -Glide-Tite Grip Joint
 -Rocklok
 -Oversized Rubber Feet
 -Foot Life
 -Weight: 5.9kg (13lbs)
 -Height Adjustment Range: 470mm - 650mm
 (18 1/2" - 24 5/8")

1ST CHAIR GLIDE RIDER DRUM THRONE -CLOTH TOP



HT530BCN

Glide Rider "Cloth Top" Seat
 -1st Chair Height Adjustment
 -Seat Lock
 -Glide-Tite Grip Joint
 -Rocklok
 -Oversized Rubber Feet
 -Foot Life
 -Weight: 5.9kg (13lbs)
 -Height Adjustment Range: 470mm - 650mm
 (18 1/2" - 24 5/8")

1ST CHAIR WIDE RIDER DRUM THRONE -CLOTH TOP



HT530BC

Wide Rider "Cloth Top" Seat
 -1st Chair Height Adjustment
 -Seat Lock
 -Glide-Tite Grip Joint
 -Rocklok
 -Oversized Rubber Feet
 -Foot Life
 -Weight: 6.0kg (13.3lbs)
 -Height Adjustment Range: 485mm - 640mm
 (19" - 25 3/16")

1ST CHAIR WIDE RIDER DRUM THRONE



HT530B

Wide Rider Seat
 -1st Chair Height Adjustment
 -Seat Lock
 -Glide-Tite Grip Joint
 -Rocklok
 -Oversized Rubber Feet
 -Foot Life
 -Weight: 6.0kg (13.3lbs)
 -Height Adjustment Range: 485mm - 640mm
 (19" - 25 3/16")

1ST CHAIR ROUND RIDER DRUM THRONE -CLOTH TOP



HT430BC

Round Rider "Cloth Top" Seat
-14" Diameter, 120mm (4 3/4") Thick Round Seat
-1st Chair Height Adjustment
-Seat Link
-Rocklok
-Foot Life
-Weight: 5.3kg (11.1lbs)
-Height Adjustment Range: 485mm - 655mm (19" - 25 3/4")

1ST CHAIR ROUND RIDER DRUM THRONE



HT430B

Round Rider Seat
-14" Diameter, 120mm (4 3/4") Thick Round Seat
-1st Chair Height Adjustment
-Seat Link
-Rocklok
-Foot Life
-Weight: 5.3kg (11.1lbs)
-Height Adjustment Range: 485mm - 655mm (19" - 25 3/4")

1ST CHAIR SADDLE-TYPE DRUM THRONE



HT250

Saddle-Type Seat
-1st Chair Height Adjustment
-Glide-Tite Grip Joint
-Rocklok
-Foot Life
-Weight: 4.05kg (8.9lbs)
-Height Adjustment Range: 425mm - 625mm (16 3/4" - 24 1/2")

1ST CHAIR ROUNDED TYPE DRUM THRONE



HT230

Rounded Seat
-1st Chair Height Adjustment
-Glide-Tite Grip Joint
-Rocklok
-Foot Life
-Weight: 4.0kg (8.8lbs)
-Height Adjustment Range: 460mm - 660mm (18" - 26")

1ST CHAIR LOW PROFILE ROUNDED TYPE DRUM THRONE



HT230LOW

Rounded Seat
-1st Chair Height Adjustment
-Glide-Tite Grip Joint
-Rocklok
-Foot Life
-Weight: 3.6kg (8lbs)
-Height Adjustment Range: 374mm - 519mm (18" 3/4 - 20" 3/8)

STANDARD DRUM THRONE



HT130

-13" Diameter, 90mm (3 1/2") Thick Round Seat
-Double Braced Legs
-Weight: 3.4kg (7.7lbs)
-Height Adjustment Range: 445mm - 620mm (17 1/2" - 24 7/16")



SNARE STANDS

Our STAR snare stand has several unique features which provide the ultimate solution for a flexible and stable snare drum setup. Our Roadpro stands now have greater stability, in addition to Quick-Set universal tilters.

For more information:



STAR SNARE STAND



HS100W

For 12" to 15" Diameter Snare Drums
 -28.6mm Diameter Base Section Tubing
 -Cradle-Hold Snare Basket
 -Glide-Tite Grip Joint
 -True-Sound Insulation Mute
 -Oversized Rubber Feet with Retractable Spike
 -Weight: 3.9kg (8.9lbs)
 -Height Adjustment Range: 400mm - 600mm (15 3/4" - 23 5/8")

ROADPRO SNARE STAND



HS800W

For 12" to 15" Diameter Snare Drums
 -28.6mm Diameter Base Section Tubing
 -Omni-Ball Tilter
 -Swiveling Basket
 -Glide-Tite Grip Joint
 -Double Braced Legs
 -Weight: 3.4kg (7.7lbs)
 -Height Adjustment Range: 495mm - 665mm (19 1/2" - 26 3/8")

ROADPRO SNARE STAND



HS80W

For 12" to 15" Diameter Snare Drums
 -28.6mm Diameter Base Section Tubing
 -Quick-Set Tilter
 -Swiveling Basket
 -Glide-Tite Grip Joint
 -Double Braced Legs
 -Weight: 3.2kg (7lbs)
 -Height Adjustment Range: 495mm - 640mm (19 1/2" - 25 3/16")

ROADPRO SNARE STAND



HS80PW

For 10" to 12" Diameter Snare Drums
 -28.6mm Diameter Base Section Tubing
 -Quick-Set Tilter
 -Swiveling Basket
 -Glide-Tite Grip Joint
 -Double Braced Legs
 -Weight: 3.2kg (7lbs)
 -Height Adjustment Range: 465mm - 610mm (18 5/16" - 24")

ROADPRO SNARE STAND



HS80LOW

For 12" to 15" Diameter Snare Drums
 -28.6mm Diameter Base Section Tubing
 -Low Position Setting Basket
 -Quick-Set Tilter
 -Glide-Tite Grip Joint
 -Double Braced Legs
 -Weight: 3.3kg (7.4lbs)
 -Height Adjustment Range: 385mm - 530mm (15 3/16" - 20 7/8")

60 SERIES SNARE STAND



HS60W

For 12" to 15" Diameter Snare Drums
 -25.4mm Diameter Base Section Tubing
 -Quick-Set Tilter
 -Swiveling Basket
 -Double Braced Legs
 -Weight: 2.6kg (5.1lbs)
 -Height Adjustment Range: 470mm - 600mm (18 1/2" - 23 5/8")

STAGE MASTER SNARE STAND



HS40WN

For 12" to 15" Diameter Snare Drums
 -25.4mm Diameter Base Section Tubing
 -Universal Gearless Tilter
 -Swiveling Basket
 -Double Braced Legs
 -Weight: 2.6kg (5.11lbs)
 -Height Adjustment Range: 470mm - 630mm (18 1/2" - 24 13/16")

STAGE MASTER SNARE STAND



HS40SN

For 12" to 15" Diameter Snare Drums
 -25.4mm Diameter Base Section Tubing
 -Universal Gearless Tilter
 -Swiveling Basket
 -Single Braced Legs
 -Weight: 2.5kg (5.8lbs)
 -Height Adjustment Range: 470mm - 630mm (18 1/2" - 24 13/16")

STAGE MASTER SNARE STAND



HS40PWN

For 10" to 12" Diameter Snare Drums
 -25.4mm Diameter Base Section Tubing
 -Universal Gearless Tilter
 -Swiveling Basket
 -Double Braced Legs
 -Weight: 2.3kg
 -Height Adjustment Range: 470mm - 630mm (18 1/2" - 24 13/16")

THE CLASSIC SNARE STAND



HS50S

For 12" to 15" Diameter Snare Drums
 -19.1mm Diameter Base Section Tubing
 -Single Braced Tripod Legs
 -Classic Style Basket
 -Double Braced Arms
 -Gearless Tilter
 -Memory Lock
 -Weight: 1.7kg (3.11lbs)
 -Height Adjustment Range: 390mm-580mm (15 3/8" - 22 7/8")
 -Storage size: 600mm (23 5/8")



ANIKA NILLES | ANIKA NILLES & BAND



VINCENT GOLLY | PIMPY PANDA



PATRICK GRÜN | CALIBAN

STAGE MASTER SNARE STAND



HS40LOWN

- For 12" to 15" Diameter Snare Drums
- 25.4mm Diameter Base Section Tubing
- Low Position Setting Basket
- Universal Gearless Tilter
- Double Braced Legs
- Weight: 2.7kg (5.15lbs)
- Height Adjustment Range: 370mm - 530mm (14 9/16" - 20 7/8")

CYMBAL STANDS

The TAMA STAR Hardware cymbal stand is incredibly flexible with several groundbreaking adjustment features. The Roadpro cymbal stands benefit from greater stability, and include the same great Quick-Set Tilter and Quick-Set Cymbal Mates.

For more Information:



ROADPRO CYMBAL STAND



HC84BW

- 28.6mm Diameter Base Section Tubing
- Quick-Set Tilter
- Quick-Set Cymbal Mate
- Boom/Straight Convertible Tilter
- Glide-Tite Grip Joint
- Detachable Counter Weight
- Boom Arm Length : 688mm (27 3/32")
- Weight : 6.2kg (13.10lbs)
- Height Adjustment Range: 820mm - 2,200mm (32 1/4" - 86 5/8")

STAR CYMBAL STAND



HC103BW

- 28.6mm Diameter Base Section Tubing
- Orbital Quick-Tite Cymbal/BoomTilter
- Glide-Tite Grip Joint
- True-Sound Insulation Mute
- Ring-True Cymbal Felt
- Boom Arm Length: 450mm (17 3/4")
- Weight: 6.1kg (13.7lbs)
- Height Adjustment Range: 890mm - 2,090mm (35" - 82 1/4")

ROADPRO CYMBAL STAND



HC82W

- 28.6mm Diameter Base Section Tubing
- Quick-Set Tilter
- Quick-Set Cymbal Mate
- Glide-Tite Grip Joint
- Double Braced Legs
- Weight: 4.2kg (9.4lbs)
- Height Adjustment Range: 740mm - 1,610mm (31 1/8" - 72 7/8")

ROADPRO CYMBAL STAND



HC83BW

- 28.6mm Diameter Base Section Tubing
- Quick-Set Tilter
- Quick-Set Cymbal Mate
- Boom/Straight Convertible Tilter
- Glide-Tite Grip Joint
- Double Braced Legs
- Boom Arm Length: 450mm (17 3/4")
- Weight: 5.0kg (11lbs)
- Height Adjustment Range: 820mm - 2,100mm (32 1/4" - 82 5/8")

ROADPRO LIGHT CYMBAL STAND



HC82LS

- 25.4mm Diameter Base Section Tubing
- Quick-Set Tilter
- Quick-Set Cymbal Mate
- Glide-Tite Grip Joint
- Single Braced Legs
- Weight: 3.1kg (6.13lbs)
- Height Adjustment Range: 710mm - 1,410mm (28" - 55 1/2")

ROADPRO LIGHT CYMBAL STAND



HC83BLS

- 25.4mm Diameter Base Section Tubing
- Quick-Set Tilter
- Quick-Set Cymbal Mate
- Boom/Straight Convertible Tilter
- Glide-Tite Grip Joint
- Single Braced Legs
- Boom Arm Length: 400mm (15 3/4")
- Weight: 3.8kg (8.6lbs)
- Height Adjustment Range: 790mm - 1,850mm (31 1/8" - 72 7/8")

60 SERIES CYMBAL STAND



HC63BW

- 25.4mm Diameter Base Section Tubing
- Quick-Set Tilter
- Boom/Straight Convertible Tilter
- Double Braced Legs
- Boom Arm Length: 400mm (15 3/4")
- Weight: 3.9kg (8.9lbs)
- Height Adjustment Range: 850mm - 2,010mm (33 1/2" - 79 1/8")



STAGE MASTER CYMBAL STAND

**HC43BSN**

- 25.4mm Diameter Base Section Tubing
- Fine Gear Tilter
- Quick-Set Cymbal Mate
- Boom/Straight Convertible Tilter
- Single Braced Legs
- Boom Arm Length: 400mm (15 3/4")
- Weight: 3.4kg (7.7lbs)
- Height Adjustment Range: 760mm - 1,800mm (30" - 70 13/16")

STAGE MASTER CYMBAL STAND

**HC42SN**

- 25.4mm Diameter Base Section Tubing
- Fine Gear Tilter
- Quick-Set Cymbal Mate
- Single Braced Legs
- Weight: 2.7kg (5.15lbs)
- Height Adjustment Range: 690mm - 1,420mm (27 1/8" - 55 15/16")

STAGE MASTER CYMBAL STAND

**HC43BWN**

- 25.4mm Diameter Base Section Tubing
- Fine Gear Tilter
- Quick-Set Cymbal Mate
- Boom/Straight Convertible Tilter
- Double Braced Legs
- Boom Arm Length: 400mm (15 3/4")
- Weight: 3.4kg (7.5lbs)
- Height Adjustment Range: 760mm - 1,800mm (30" - 70 13/16")

STAGE MASTER CYMBAL STAND

**HC42WN**

- 25.4mm Diameter Base Section Tubing
- Fine Gear Tilter
- Quick-Set Cymbal Mate
- Double Braced Legs
- Weight: 2.9kg (6.6lbs)
- Height Adjustment Range: 690mm - 1,420mm (27 1/8" - 55 15/16")

THE CLASSIC CYMBAL STAND

**HC52F**

- 19.1mm Diameter Base Section Tubing
- Flat Base Leg Design
- 9mm Diameter Solid Upper Portion
- Fine Gear Tilter
- Compact Folding Design (580mm 22 27/32")
- Weight 1.48kg (3.2lbs)
- Height Adjustment Range: 590mm - 1,300mm (23 1/4" - 51 3/16")



TOM STANDS & TOM HOLDERS

TAMA's tom stands and tom holders feature our original Omni-Ball system which allows each tom to be held securely in place. You can position the drum at virtually any angle simply by loosening one T-nut.

For more Information:



ROADPRO SINGLE TOM STAND



HTS88W

- Weight: 4.2kg
- Height: 760mm - 1240mm
- Omni-Ball Tom Angle Adjustment
- Glide-Tite Grip Joint
- Double Braced Tripod Base

STAR DOUBLE TOM STAND



HTW109W

- 28.6mm Diameter Base Section Tubing
- Swivel-Wing Tom Holder
- Stilt System
- Glide-Tite Grip Joint
- Extra Heavy Double Braced Legs
- Weight: 6.0kg (13lbs)

STAR HARDWARE SINGLE TOM STAND



HTS108W

- For up to 10" Depth Tom Tom
- 28.6mm Diameter Base Section Tubing
- Omni-Ball Tilter
- Glide-Tite Grip Joint
- True-Sound Insulation Mute
- Extra Heavy Double Braced Legs
- Oversized Rubber Feet with Retractable Spike
- Weight: 4.3kg (9.7lbs)

ROADPRO COMBINATION STAND



HTC807W

- 28.6mm Diameter Base Section Tubing
- Omni-Ball Tom Angle Adjustment / Movable Tom Positioning
- Quick-Set Tilter
- Quick-Set Cymbal Mate
- Glide-Tite Grip Joint
- Double Braced Legs
- Boom Arm Length: 300mm (11 3/4")
- Weight: 5.4kg (11.14lbs)

ROADPRO COMBINATION STAND



HTC87W

- 28.6mm Diameter Base Section Tubing
- Omni-Ball Tom Angle Adjustment
- Quick-Set Tilter
- Quick-Set Cymbal Mate
- Glide-Tite Grip Joint
- Double Braced Legs
- Boom Arm Length: 300mm (11 3/4")
- Weight: 5.5kg (12.2lbs)

ROADPRO DOUBLE TOM STAND



HTW839W

- 28.6mm Diameter Base Section Tubing
- Omni-Ball Tom Angle Adjustment
- Stilt System
- Glide-Tite Grip Joint
- Double Braced Legs
- Weight: 5.0kg (11lbs)

ROADPRO DOUBLE TOM STAND



HTW849W

- 28.6mm Diameter Base Section Tubing
- Omni-Ball Tom Angle Adjustment
- Glide-Tite Grip Joint
- Double Braced Legs
- Low Profile Tetrapod
- Weight: 5.1kg (11.3lbs)

STAGE MASTER DOUBLE TOM STAND



HTW49WN

- 25.4mm Diameter Base Section Tubing
- Omni-Ball Tom Angle Adjustment
- Double Braced Legs
- Weight: 3.6kg (7.14lbs)

STAR COMBINATION STAND



HTC107W

- 28.6mm Diameter Base Section Tubing
- Swivel-Wing Tom Holder
- Orbital Quick-Tite Cymbal Tilter
- Orbital Quick-Tite Boom Tilter
- Glide-Tite Grip Joint
- True-Sound Insulation Mute
- Ring-True Cymbal Felt
- Boom Arm Length: 300mm (11 3/4")
- Weight: 7.2kg (15.13lbs)

ROADPRO ELECTRONIC PAD STAND



HPS80W

- Weight: 3.7kg
- Height: 520mm - 1,020mm
- Glide-Tite Grip Joint
- Double Braced Tripod Base



DAVID DIEPOLD | OBSCURA

ELECTRONIC PAD HOLDER

MPH63

- Ratchet Holder
- FastClamp Easy Set-Up System



DOUBLE TOM HOLDER

MTH1000

- 25.4mm Diameter Bass Section Tubing
- Swivel-Wing Tom Holder



- MTH1000 (chrome)
- MTH1000BN (black nickel)
- MTH1000U (smoked black nickel)

DOUBLE TOM HOLDER

MTH600

- 25.4mm Diameter Tubing
- MTH600 (chrome)
- MTH600BN (black nickel)



SINGLE TOM HOLDER

MTH900BS

- 25.4mm Diameter Bass Section Tubing



DOUBLE TOM HOLDER

MTH800

- 25.4mm Diameter Tubing



THE CLASSIC TOM STAND

HTS58F

- For 10" to 14" Diameter Drums
- 19.1mm Diameter Base Section Tubing
- Flat Base Leg Design
- Classic Style Basket
- Memory Lock
- Weight: 1.8kg (3.15lbs)
- Height Adjustment Range: 565mm - 820mm (22 1/4" - 32 1/4")
- Storage size: 600mm (23 5/8") (upper section) / 410mm (16 1/8") (lower section)



SINGLE TOM HOLDER

MTH1000S

- 25.4mm Diameter Bass Section Tubing
- Swivel-Wing Tom Holder

- MTH1000S (chrome)
- MTH1000SBN (black nickel)
- MTH1000SU (smoked black nickel)



SINGLE TOM HOLDER

MTH900BM

- 25.4mm Diameter Tubing



HARDWARE KITS

We offer various hardware kit packages to complement any drum sets.

For more information:



IRON COBRA 900 HARDWARE KIT



HG5WN

- HS800W Roadpro Snare Stand
- HC83BW Roadpro Boom Cymbal Stands (x2)
- HH905D Iron Cobra Hi-hat Stand
- HP900PN Iron Cobra Power Glide Single Pedal



OLIVER STEIDLE | THE KILLING POPES, OLWOOD, PHILM, ILOG

IRON COBRA 200 HARDWARE KIT



HB5W

- HS60W Snare Stand
- HC63BW Boom Cymbal Stands (x2)
- HH205 Iron Cobra 200 Hi-hat Stand
- HP200P Iron Cobra 200 Single Pedal

IRON COBRA 600 HARDWARE KIT



HV5WN

- HS80W Roadpro Snare Stand
- HC83BW Roadpro Boom Cymbal Stands (x2)
- HH605 Iron Cobra 600 Hi-hat Stand
- HP600D Iron Cobra 600 Single Pedal

THE CLASSIC STAND HARDWARE KIT



HC4FB

- HS50S Snare Stand
- HC52F Straight Cymbal Stands (x2)
- HH55F Hi-Hat Stand
- SBH01 Hardware Bag

STAGE MASTER HARDWARE KIT



SM5W

- HS40WN Stage Master Snare Stand
- HC43BWN Stage Master Boom Cymbal Stands (x2)
- HH205 Iron Cobra 200 Hi-hat Stand
- HP200P Iron Cobra 200 Single Pedal



HG5WN



HV5WN

IRON COBRA 200 BUNDLE WITH 1st CHAIR THRONE



HED3G

- HP200P Iron Cobra 200 Single Pedal
- HT250 1st Chair Drum Throne (Saddle seat)
- HH205S Iron Cobra 200 Hi-hat Stand

ROADPRO BOOM STAND 2PCS PACK



HC83BWX2

- HC83BW Roadpro Boom Cymbal Stands (x2)

IRON COBRA 200 BUNDLE WITH 1st CHAIR THRONE



HED3R

- HP200P Iron Cobra 200 Single Pedal
- HT230 1st Chair Drum Throne (Round seat)
- HH205S Iron Cobra 200 Hi-hat Stand

STAGE MASTER BOOM STAND 2PCS PACK



HC43BWNX2

- HC43BWN Stage Master Boom Cymbal Stands (x2)

IRON COBRA 200 BUNDLE WITH 1st CHAIR THRONE



HED2R

- HP200P Iron Cobra 200 Single Pedal
- HT230 1st Chair Drum Throne (Round seat)

THE CLASSIC STAND 2PCS PACK



HC52FX2

- HC52F Straight Cymbal Stands (X2)

IRON COBRA 200 BUNDLE WITH 1st CHAIR THRONE



HED2G

- HP200P Iron Cobra 200 Single Pedal
- HT250 1st Chair Drum Throne (Saddle seat)

POWER TOWER SYSTEM

TAMA's Power Tower System allows you to maintain the same precise set-up time after time. It utilizes 38.1mm stainless round pipes which allow for drums and hardware to be set-up at any angle quickly and easily.

For more Information:



POWER TOWER SYSTEM BASIC UNIT



PMD1100M

- 1100mm Curved Pipe x 1pc
- 850mm Straight Pipe with 19.1mm diameter Joint x 2pc
- 40mm x 20mm x 450mm Square Pipe x 2pc
- Leg Joint Bracket x 2pc
- Rubber Foot x 4pc
- Cross Joint Bracket (J30TS) x 2pc
- Multi Holder (J34T) x 2pc
- Memory Lock (A13S) x 4pc

POWER TOWER SYSTEM ADDITIONAL UNIT



PMD1100A

- 1100mm Curved Pipe x 1pc
- 850mm Straight Pipe with 19.1mm diameter Joint x 1pc
- 40mm x 20mm x 450mm Square Pipe x 1pc
- Leg Joint Bracket x 1pc
- Rubber Foot x 2pc
- Cross Joint Bracket (J30TS) x 2pc
- Multi Holder (J34T) x 1pc
- Memory Lock (A13S) x 3pc

POWER TOWER SYSTEM ADDITIONAL UNIT



PMD900A

- 900mm Curved Pipe x 1pc
- 850mm Straight Pipe with 19.1mm diameter Joint x 1pc
- 40mm x 20mm x 450mm Square Pipe x 1pc
- Leg Joint Bracket x 1pc
- Rubber Foot x 2pc
- Cross Joint Bracket (J30TS) x 2pc
- Multi Holder (J34T) x 1pc
- Memory Lock (A13S) x 3pc

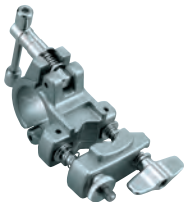
SINGLE TOM HOLDER



MTH900BS

A single tom holder with 25.4mm diameter base tube.

MULTI HOLDER



J34T

Rack mount for L-rods, tom or cymbal holders. Fits pipes from 10.5mm to 28.6mm in diameter.

CROSS JOINT BRACKET



J30TS

90 degree perpendicular pipe clamp that allows horizontal and vertical pipes to be set at an equal height.

MEMORY LOCK



A13S

Memory clamp designed specifically for the Power Tower System.



FREDERIC MICHEL | CLOCKCLOCK

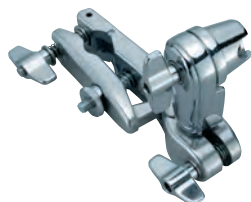
CLAMPS AND ATTACHMENTS

Back in the 1970's TAMA's original introduction of the multi-clamp was a real revolution in the complex instrument we know as the drum kit. Today, multi-clamps are standard equipment in drums of all brands.

For more information:



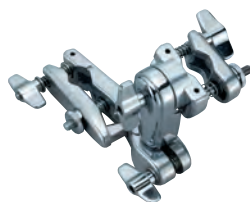
UNIVERSAL CLAMP



MC66

One side can hold pipes with diameters from 15.9mm to 28.6mm, while the other side is a ratchet holder that can hold a rod from 9mm to 12mm in diameter at various angles. An excellent clamp for adding an array of new set-up possibilities.

UNIVERSAL CLAMP



MC67

The heavier duty version of the MC66. One side holds pipes with diameters from 15.9mm to 28.6mm, while the other side is a ratchet holder that can hold a 12mm to 25.4 mm diameter rod or pipe at various angles.

UNIVERSAL CLAMP



MC56

This clamp can be attached to an existing stand pipe that is 15.9mm to 28.9mm in diameter. By attaching a L-Rod or cymbal boom arm that is 9mm to 12mm in diameter, you can easily add a cowbell, woodblock, or cymbal to your drum kit.

MULTI-CLAMP



MC61

A basic clamp for connecting stands with pipes from 15.9mm to 28.6mm in diameter with any attachment having a 19.1mm diameter pipe.

MULTI-CLAMP



MC62

A double multi-clamp for connecting two pipes from 15.9mm to 28.6mm in diameter. Both sides feature the FastClamp Easy Set-Up System.

CLOSED HI-HAT ATTACHMENT



MXA43

This closed hi-hat attachment utilizes a specially designed screw clutch, allowing for quick, easy, and precise adjustments. The space between the hi-hat cymbals can be adjusted by rotating the screw clutch clockwise or counterclockwise.

COMPACT CLAMP



MC7

Same function as the MC5, but with even greater flexibility. The ratchet holder section can hold any diameter tube from 12mm to 25.4mm.

HOOP GRIP



MC8

The Hoop Grip is a simple tool that allows you to add cymbals or other accessories to your drum kit to expand your setup and customize your sound.

-available on Steel Hoops and Die-Cast Hoops.
*NOT available on Wood Hoops.

CLOSED HI-HAT ATTACHMENT



MXA53

Simply designed closed hi-hat attachment that allows for two different settings by turning a lever. Attachable to stands from 15.9mm to 28.6mm in diameter. Great for double bass or double pedal players.

Z-ROD FOR SPLASH CYMBAL -LONG



ZCYEL

Z-rod for mounting lightweight cymbals (10.5mm diameter)

Details:
- Quick-set cymbal mate

Z-ROD FOR SPLASH CYMBAL -SHORT



ZCYE

Z-rod for mounting lightweight cymbals (10.5mm diameter)

Details:
- Quick-set cymbal mate

CLOSED HI-HAT ATTACHMENT



MXA73N

The tension adjustment knob makes it possible to finely adjust the degree of opening of the hi-hat cymbals. In addition, the angle of the bottom cymbal is also adjustable.

- Quick-set hi-hat clutch
- Quick-set tilter

HOOP GRIP & ACCESSORY MOUNT ARM



MC8HCA20

Hoop Grip (MC8) & Accessory Mount Arm (HCA20) bundle package

Z-ROD FOR COWBELL



ZCB

Z-rod for mounting cowbell or other percussion instruments and accessories (9mm diameter)

L-ROD FOR TOM TOM



LLT

L-rod for mounting toms (10.5mm diameter).

L-ROD FOR COWBELL



LCB

L-rod for mounting different hand percussion instruments and accessories. The 9mm diameter rod fits most popular percussion instruments designed for attachment to a 3/8" rod.

L-ROD FOR HI-HAT CYMBAL



LHH

L-Rod for Hi-hat cymbals.

Details:
- Screw-Type Hi-hat clutch

CYMBAL ATTACHMENT



MCA63EN

Combines the MC66 universal clamp and the MCB30EN boom arm. Works perfectly for adding cymbals and accessories to stands with pipes from 15.9mm to 28.6mm in diameter.

Details:
- Quick-set tilter
- Quick-set cymbal mate

HAT STACK



CSH5

- Easily attach a small cymbal to hi-hat rod measuring up to 7mm in diameter
- Compact size and lightweight for easy transport and storage
- 25mm (1") diameter x 40mm (1.5") height
- Ability to adjust cymbal sustain

CYMBAL STACKER



CSA25

The CSA25 allows positioning of a small cymbal on the M8 threaded cymbal rod, as well as independent angle adjustment.

CYMBAL ATTACHMENT



CCA30

The assortment of boom cymbal holder and MC61 multi-clamp. By connecting to stands from 15.9mm to 28.6mm in diameter, you can add any cymbal easily.

L-ROD FOR CYMBAL



LCYE

L-rod for mounting lightweight cymbals.

Details:
- Quick-set cymbal mate

BOOM ARM



MCB45EN

MCB45EN can be used in combination with a ratchet arm or the MC66 universal clamp is available.

Details:
- 450mm (17 3/4") length
- Quick-set tilter
- Quick-set cymbal mate

CYMBAL ATTACHMENT



CYA5E

Combines the MC5 compact clamp with the LCYE L-rod for mounting one cymbal to one boom arm. Can be clamped to rods from 9mm to 12mm in diameter or to the L-rod of a tom holder.

Details: Quick-set cymbal mate

CYMBAL STACKER



CSA15

The CSA15 is a straightforward cymbal stacker useful for adding small cymbals to your setup using the M8 threaded cymbal rod.

CYMBAL HOLDER



CA30EN

Details:
- 300mm (11 3/4") length
- Quick-set tilter
- Quick-set cymbal mate

COWBELL ATTACHMENT



CBA5

Compact attachment for mounting hand percussion such as cowbells or tambourines. Combines the MC5 compact clamp and the LCB L-rod to provide set-up flexibility. The 3/8" L-rod fits most popular percussion instruments and accessories.

BOOM ARM



MCB30EN

MCB30EN can be used in combination with a ratchet arm or the MC66 universal clamp is available.

Details:
- 300mm (11 3/4") length
- Quick-set tilter
- Quick-set cymbal mate

CYMBAL HOLDER



CA45EN

Details:
- 450mm (17 3/4") length
- Quick-set tilter
- Quick-set cymbal mate

HOOP GRIP FOR BASS DRUM



MC9

The MC9 Hoop Grip for bass drum is a simple clamp. However, when combined with an L-Rod or Z-Rod, you can set splash cymbal or various percussion items on the bass drum.

CYMBAL HOLDER



CACLJ

Bass Drum Mounted Cymbal Holder features telescoping arm & fine gear tilter, which allow you to adjust the angle and height of the cymbal as you like in smaller spaces.

CYMBAL ATTACHMENT



MCA53

The MCA53 is a simplified attachment based on the functionality of the MCA63EN. Add cymbals by securing this attachment to stands from 15.9mm to 28.6mm in diameter.

TOM ATTACHMENT



MC69

Clamping this attachment on a 15.9mm to 28.6mm diameter pipe allows for direct set-up of toms. Even with a compact construction, the inclusion of the Omni-ball feature at the angle adjustment point lets you adjust toms to any angle.

COWBELL ATTACHMENT



CBA56

Combines the universal clamp with the LCB L-rod to mount most popular percussion instruments and accessories. Can be attached to pipes ranging from 15.9 mm to 28.6 mm in diameter.

TOM ADAPTER



MTH900AS

This adapter allows you to add single toms to stands using the flexibility and speed of TAMA's Omni-Ball/L-Rod combination.

HI-HAT ATTACHMENT



MHA823

This hi-hat attachment allows for better positioning of a hi-hat stand while using a double bass drum set-up. By connecting the MHA823 to the bass drum hoop, the hi-hat stand can be held upright without opening the hi-hat stand's legs. By utilizing TAMA Omni-Ball system, the clamp is now infinitely adjustable to any angle and enables even greater set-up flexibility. As well, rubber cushions are equipped to protect bass drum hoop from becoming damaged. The clamp is attachable to any hi-hat stand with a pipe diameter of 15.9 - 28.6mm by using the FastClamp Easy Set-Up System.

COWBELL ATTACHMENT



CBH50

The position and angle of the cowbell are adjustable to your preference. The bass drum clamp is now equipped with rubber hoop protectors in order to prevent the hoop from becoming damaged.

COWBELL ATTACHMENT



CBH20

This simple attachment allows cowbells to be mounted on the bass drum. The length and angle of the L-rod can be easily changed for optimum positioning.



JO SCHEER | MARATHONMANN



FABIAN FÜSS | EMIL BULLS



MICROPHONE STANDS

Just as many years ago, TAMA single-handedly altered the essence of the modern drum set through its re-invention of drum hardware—TAMA now turns that same degree of engineering dedication to yet another unevolved category of music gear: the microphone stand.

Video:



For more information:



DESK-MOUNTED MICROPHONE BOOM ARM



MSDA206BK

- Iron-Core Telescoping Boom Arm
 - Cast Grip Boom Tilter
 - Height memory lock
 - Headset hanging hook
- Height: 95 - 515mm (3 3/4" - 20 1/4")
 Boom Arm: 450 - 800mm (17 3/4" - 31 1/2")
 Weight: 1.6kg (3.6lbs)
 Black Finish

IRON WORKS STUDIO EXTRA LONG BOOM STAND



MS737BK

- Vice-Grip Boom Tilter
 - Sure-Cast Adjustment Collar
 - Die-Cast Locking Thumb Nut
 - Silent T-Handle
 - Latch-Lok Sleeve Insert
- Height: 995mm - 1,665mm (39 3/16" - 65 1/2")
 Boom Arm: 1,055mm (41 1/2")
 Weight: 5.75kg
 Black Finish

IRON WORKS STUDIO TELESCOPING BOOM STAND



MS736BK

- Vice-Grip Boom Tilter
 - Iron-Core Legs with Vibration-Isolating Rubber Feet
 - Iron-Core Telescoping Boom Arm
 - Silent T-Handle
 - Detachable Boom Arm
- Height: 975-1650mm (38 3/8"-64 15/16")
 Boom arm : 505-850mm (19 7/8"-33 7/16")
 Weight : 5.4kg (11.9lbs)
 Black Finish

IRON WORKS STUDIO SERIES EXTRA LOW TELESCOPING BOOM STAND



MS734ELBK

- Vice-Grip Boom Tilter
 - Die-Cast Locking Thumb Nut
 - Silent T-Handle
 - Iron-Core Telescoping Boom Arm
- Height: 325mm (12 3/4")
 Boom arm : 335mm - 520mm (13 1/8" - 20 1/2")
 Weight: 4kg (8.8lbs)
 Black Finish

IRON WORKS STUDIO LOW PROFILE TELESCOPING BOOM STAND



MS736LBK

- Vice-Grip Boom Tilter
 - Iron-Core Legs with Vibration-Isolating Rubber Feet
 - Iron-Core Telescoping Boom Arm
 - Silent T-Handle
 - Detachable Boom Arm
- Height : 440mm - 605mm (17 5/16"- 23 13/16")
 Boom arm : 505mm - 850mm (19 7/8"- 33 7/16")
 Weight : 4.7kg (10.4lbs)
 Black Finish

IRON WORKS STUDIO ROUND BASE EXTRA LOW PROFILE TELESCOPING BOOM STAND



MS736RELBK

- Vice-Grip Boom Tilter
 - Iron-Core Telescoping Boom Arm
 - Silent T-Handle
 - Detachable Boom Arm
 - Heavy Round Cast Base
- Height : 280mm (11 1/32")
 Boom arm : 505mm - 850mm (19 7/8"- 33 7/16")
 Weight : 7.7kg (17.0lbs)
 Black Finish

IRON WORKS TOUR TELESCOPING BOOM STAND



MS436BK

- Cast Grip Boom Tilter
 - Die-Cast Locking Thumb Nut
 - Sure-Cast Adjustment Collar
 - Iron-Core Telescoping Boom Arm
 - Detachable Boom Arm
- Height : 985mm - 1660mm (38 3/4"- 65 3/8")
 Boom arm : 845mm (33 1/4")
 Weight : 3.9kg (8.6lbs)
 Black Finish

IRON WORKS TOUR LOW PROFILE TELESCOPING BOOM STAND



MS436LBK

- Cast Grip Boom Tilter
 - Die-Cast Locking Thumb Nut
 - Sure-Cast Adjustment Collar
 - Iron-Core Telescoping Boom Arm
 - Detachable Boom Arm
- Height : 440mm - 605mm (17 5/16"- 23 13/16")
 Boom arm : 505mm - 845mm (19 7/8"- 33 1/4")
 Weight : 3.1kg (6.9lbs)
 Black Finish

MICROPHONE TELESCOPING BOOM ARM WITH CLAMP

NEW

MSCA734BK

-Iron-Core Telescoping Boom Arm
-Vice-Grip Boom Tilter
-Clamp holds pipes with diameters from 15-25.4mm (5/8"-1")
Boom Arm: 290-455mm (11 7/16"-17 15/16")
Weight : 0.87kg (1.9lbs)
Black Finish



VICE-GRIP BOOM STAND



MS205VBK

-Vice-Grip Boom Tilter
 -Height: 965mm – 1,600mm (38" - 63")
 -Latch-Lok Sleeve Insert
 -Boom Arm : 830mm (32 11/16")
 Weight: 3.26kg (7.1lbs)
 Black Finish

TRI-LIFT ADAPTOR



TLA3

An extremely innovative product, the TLA3 Tri-Lift Adaptor is highly useful for setting multiple microphone stands very close together. This adaptor lifts the mic stand's legs up and enables you to place another stand's legs underneath. (3pcs/Set)



LOW PROFILE BOOM STAND



MS205ST

-Cast Grip Boom Tilter
 Height : 430mm – 560mm
 (17 1/8"– 22 1/16")
 Boom arm : 510mm (20 1/16")
 Weight : 2.3kg (5.1 lbs)
 Chrome Finish

BOOM STAND



MS205

-Cast Grip Boom Tilter
 Height : 960mm – 1600mm
 (37 13/16"– 63")
 Boom arm : 830mm
 (32 11/16")
 Weight : 3.2kg (7.1 lbs)
 Chrome Finish

BOOM STAND



MS205BK

-Cast Grip Boom Tilter
 Height : 960mm – 1600mm
 (37 13/16"– 63")
 Boom arm : 830mm (32 11/16")
 Weight : 3.2kg (7.1 lbs)
 Black Finish

IRON WORKS STUDIO ROUND BASE TELESCOPING BOOM STAND



MS736RBK

-Vice-Grip Boom Tilter
 -Sure-Cast Adjustment Collar
 -Die-Cast Locking Thumb Nut
 -Round Cast Base
 -Silent T-Handle
 -Latch-Lok Sleeve Insert
 -Iron-Core Telescoping Boom Arm
 -Height : 990 - 1700mm
 (38 3/8"-64 15/16")
 -Weight : 8.2kg
 -Black Finish

IRON WORKS TOUR TABLE TOPSTAND



MS30BK

-Lighter Smaller Zinc Die-Cast
 Round Base
 -2 stage Aluminum
 Pipe Construction
 Height : 220mm - 370mm
 (8 5/8"-14 9/16")
 Weight : 1.1kg
 Black Finish

STRAIGHT STAND



MS200BK

Height : 910 - 1550mm
 (36" - 61")
 Weight : 2.4kg (5.4lbs)
 Black Finish

STRAIGHT STAND WITH ROUND BASE



MS200DBK

-Cast Round Base with
 T-Bolt Pipe Fixing Device
 Height : 895 - 1510mm
 (35 1/4" - 59 7/16")
 Weight : 3.8kg (8.6lbs)
 Black Finish

LOW PROFILE BOOM STAND



MS205STBK

-Cast Grip Boom Tilter
 Height : 430mm – 560mm
 (17 1/8"– 22 1/16")
 Boom arm : 510mm
 (20 1/16")
 Weight: 2.3kg (5.1 lbs)
 Black Finish

BOOM ARM



MS736BB

Vice-Grip Boom Tilter with Iron-
 Core Telescoping Boom Arm

BOOM ARM



MS436BB

Cast-Grip Boom Tilter with Iron-
 Core Telescoping Boom Arm

CORD CLIP



CC5

For 15.9 mm (5/8")
 diameter tube.

CC7

For 22.2 mm (7/8")
 diameter tube.

DIE-CAST LOCKING THUMB NUT



DTLN3

For 3/8" connector
 Not only does the thumb nut's
 larger, sure-grip design allow
 greater leverage for faster,
 easier set-up and breakdown,
 its high quality zinc threads
 and walls are built to handle
 pressure for years to come.

RUBBER FOOT



756-RF

TAMA's extra thick rubber
 foot covers "float" the stand,
 isolating the microphone
 from floor vibrations. (for
 19.1mm diameter leg)

ORIGINAL PERCUSSION

For more Information:



For more than 40 years, TAMA has been inspiring drummers around the world with its unique range of original percussion instruments. Combining the influences of global musical cultures with modern technology, TAMA has given drummers and percussionists of every genre a new lease on creativity with the unique voices these instruments provide.

GONG BASS DRUM



MAG20R

20"x14" Starclassic Maple Gong Bass Drum

MEG20R (Exotic Finishes)
MAG20R (Lacquer Finishes)
MRG20R (Duracover Finishes)

*Gong Bass Drums are available in all Starclassic Maple finishes (Exotic/ Lacquer / Duracover Wrap).

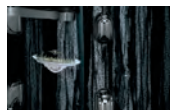
**Gong Bass Drum shell hardware is available in chrome finish only.

***Hardware and tom arms not included.

LACQUER FINISHES



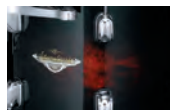
Deeper Purple
DPP



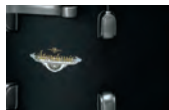
Black Clouds & Silver Linings
BCS



Satin Aztec Gold Metallic
SAM



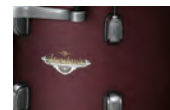
Dark Mocha Fade
DMF



Flat Black
FBK



Molten Satin Brown Fade
MSF



Flat Burgundy Metallic
FBM



Molten Electric Blue Fade
MEF



Silver Snow Racing Stripe
SSR



Piano White
PWH



Piano Black
PBK

EXOTIC FINISHES (LACQUER)



Tobacco Movingui Fade
VTFV



Gloss Natural Movingui
VGLM



Ruby Pacific Walnut Fade
LRWF



Emerald Pacific Walnut Fade
LEWF



Natural Pacific Walnut Fade
LNWF

DURACOVER WRAP FINISHES



Red Oyster
ROY



Turquoise Pearl
TQP



Charcoal Swirl
CCL



Sky Blue Swirl
SLW



Blue and White Oyster
BWO

OCTOBAN SET - High 2pcs



7850N2H

2pc High-pitch set with HOW29WN stand

HOW29WN available separately

OCTOBAN SET - Low 2 pcs



7850N2L

2pc Low-pitch set with HOW29WN stand

HOW29WN available separately

JINGLE RING



TJR7

The Jingle Ring is a slim tambourine that can be mounted on a hi-hat stand or as a separate item. It features 9 pairs of nickel "jingles" that produce a bright, clear, tambourine sound.

OCTOBAN SET - High 4 pcs



7850N4H

4pc High-pitch set with HOW49WN stand

OCTOBAN SET - Low 4 pcs



7850N4L

4pc Low-pitch set with HOW49WN stand

METALWORKS "EFFECT" STEEL MINI-TYMPMS



MT68STBK

6"x4" + 8"x4"

MT810STBK

8"x4" + 10"x4"

Steel Mini-Tympms come with an L-rod (LLT) and multi-clamp (MC66)

OCTOBAN SINGLE



OCT280N

280mm (11") depth

OCT343N

343mm (13 1/2") depth

OCT301N

301mm (11 3/4") depth

OCT390N

390mm (15 1/2") depth

OCT443N

443mm (17 1/2") depth

OCT472N

472mm (18 1/2") depth

OCT536N

536mm (21") depth

OCT600N

600mm (23 1/2") depth

OCTOBAN HOLDER FOR DRUM RACK



0A29

for 2pcs octobans



0A49

for 4pcs octobans



ROBERT BIESEWIG | MOTRIP



RAMY ALI | SERIOUS BLACK

BAGS

TAMA's heavy duty bags protect your drums from damage during transportation.

For more information:



POWERPAD BAG -Snare Drum-

PBS1445

PBS1445
(14"x4,5" Snare Drum)



POWERPAD BAG -Tom Tom-

PBT

PBT8 (8"x7" Tom Tom)
PBT10 (10"x8" Tom Tom)
PBT12 (12"x9" Tom Tom)
PBT13 (13"x10" Tom Tom)



POWERPAD BAG -Floor Tom-

PBF

PBF14 (14"x14" Floor Tom)
PBF16 (16"x16" Floor Tom)



POWERPAD BAG -Bass Drum-

PBB

PBB18 (18"x16" Bass Drum or Floor Tom)
PBB20 (20"x18" Bass Drum)
PBB22 (22"x18" Bass Drum)
PBB24 (24"x18" Bass Drum)



POWERPAD BAG -Snare Drum-

PBS1455

PBS1455 (14"x5.5" Snare Drum)
PBS1465 (14"x6.5" Snare Drum)
PBS1480 (14"x8" Snare Drum)



POWERPAD BAG -Hardware-

PBH02L

880 (L) x150 (W) x200 (H) mm
(34 5/8" x 5 7/8" x 7 7/8")



-Suitable size for storing about 5 stand

POWERPAD BAG -Hardware-

PBH05

850 (L) x 320 (W) x220 (H) mm
(33 1/2" x 12 5/8" x 8 5/8")



-Suitable size for storing about 10 stands
-Equipped with durable wheels

POWERPAD BAG -Cymbal-

PBC22

The POWERPAD® Series Cymbal Bag is a heavy duty bag designed to carry cymbals up to 22" in diameter. The main compartment contains (3) 22" dividers and the front side pocket contains (3) 15" dividers.



POWERPAD BAG -Twin Pedal-

PBP200

The PBP200 can accommodate both single and double pedals.

450 (L) x300 (W) x 200 (H) mm



POWERPAD BAG -Single Pedal-

PBP100

The POWERPAD® Series bag for single pedal.

220 (D) x190 (W) x 400 (H) mm



POWERPAD BAG -Drum Throne-

PBTH15

-Carries any TAMA drum throne
-Carries 14" snare drum and snare drum stand
-Shoulder strap and handle for easy transportation



POWERPAD BAG -Stick & Mallet-

PBS50

Stores about 24 pairs of sticks & mallets

-Large front pocket for sheet music
-Built-in hooks easily attach to floor tom
-Padded Shoulder strap
-Convenient inner pockets
-Height: 500mm
-Open Width: 580mm



POWERPAD BAG -Stick-

PBS24

Stores about 12 pairs of sticks & mallets



POWERPAD DESIGNER BAG -Hardware-

THB04XLBK

880 (L) x 180 (W) x 250 (H) mm
(34 5/8" x 7 1/16" x 9 13/16")

-Suitable size for storing HV5WN hardware kit without drum pedal
(2-HC83BW, HS80W, HH605)



Black

THB02L

880 (L) x 150 (W) x 200 (H) mm
(34 5/8" x 5 7/8" x 7 7/8")

-Suitable size for storing about 4 stands



Black (BK)

Moss Green (MG)

Navy Blue (NB)

Wine Red (WR)

Beige (BE)

POWERPAD DESIGNER BAG -Snare Drum-

TSDB1465

14"x6.5" Snare Drum

-Convertible Backpack Straps
-20mm thick semi-hard cushion
-Backpack Straps and ergonomic rubber handle



Moss Green (MG)



Black (BK)



Navy Blue (NB)



Wine Red (WR)



Beige (BE)

POWERPAD DESIGNER BAG -Drum Set-



Beige (BE)

TDSS52K

22"x18" Bass Drum
10"x8" Tom Tom
12"x9" Tom Tom
16"x16" Floor Tom
14"x6.5" Snare Drum

-10mm thick inner cushions
-Ergonomic rubber handle
-A comfortable padded shoulder strap (for the snare drum bag)



Moss Green (MG)

Navy Blue (NB)



Wine Red (WR)

Black (BK)

POWERPAD DESIGNER BAG -8" Tom Tom-



Wine Red (WR)

TSBT8

8"x7" Tom Tom

-10mm thick inner cushions
-Ergonomic rubber handle



Black (BK)



Moss Green (MG)



Navy Blue (NB)



Beige (BE)

POWERPAD DESIGNER BAG -14" Floor Tom-



Navy Blue (NB)

TSBF14

14"x14" Tom Tom

-10mm thick inner cushions
-Ergonomic rubber handle



Black (BK)



Moss Green (MG)



Wine Red (WR)



Beige (BE)

POWERPAD DESIGNER BAG -Cymbal-



Moss Green (MG)

TCB22

up to 22" Cymbal + 15" Hi-Hat
(front side pocket)

-20mm thick semi-hard cushion
-Padded shoulder Straps and handle
-22" compartment dividers (3pcs)
and 15" compartment dividers (3pcs)
included



Beige (BE)



Navy Blue (NB)



Wine Red (WR)



Black (BK)

POWERPAD DESIGNER BAG -Cajon-



Black (BK)

TCB01

330 (L) x 310 (W) x 520 (H) mm

(13" x 12 1/4" x 20 1/2")

-Backpack straps



Navy Blue (NB)



Moss Green (MG)



Wine Red (WR)



Beige (BE)

POWERPAD DESIGNER BAG -Twin Pedal-



Beige (BE)

TPB200

450 (L) x 200 (W) x 300 (H) mm

(17 3/4" x 7 7/8" x 11 3/4")

-Accommodate both single and double pedals
-Removable storage case for using as single pedal case



Navy Blue (NB)



Moss Green (MG)



Wine Red (WR)



Black (BK)

POWERPAD DESIGNER BAG -Stick-



Wine Red (WR)

TSB24

-Main pockets for 12 pairs of sticks, and side pockets for accessories
-Built-in hooks easily attach to floor tom
-Shoulder strap for portability
-Convenient inner pockets
-Size: 460mm x 180mm
-Side Pocket: 260mm x 160mm



Beige (BE)



Navy Blue (NB)



Moss Green (MG)



Black (BK)



Blue Denim (DBL)

TSB12

Stores about 6 pairs of sticks

-Top of the bag open to take out stick easily
-Elastic band easily attach to floor tom
-Convenient inner pockets



Beige (BE)



Moss Green (MG)



Black Denim (DBK)



Black (BK)



Wine Red (WR)



Navy Blue (NB)

STANDARD SERIES DRUM BAG SET

FEATURES

- 600 denier high density water resister surface
- Water resistant nylon with 10mm thick cushion
- Ergonomic rubber handles

DSS36LJ

16"x15" BD
10"x7" TT
12"x6" FT
(for Club-JAM Suitcase kit)

DSS48LJP

(for Club-JAM Pancake kit)
18" x 4"BD
10" x 3.5"TT
13" x 3.5"FT
12" x 4"SD

DSS52K

22"x18"BD
10"x8"TT
12"x9"TT
16"x16"FT
14"x6.5"SD

DSS48LJ

(for Club-JAM kit)
18"x12" BD
10"x8" TT
14"x7" FT & 13"x5" SD (1 bag)

DSS50S

20"x18"BD
10"x8"TT
12"x9"TT
14"x14"FT
14"x6.5" SD

DSS44LJ

(for Club-JAM Flyer kit)
14"x10" BD
10"x9" FT & 8"x6" TT (1bag)
10"x5" SD bag

DSS62S

22"x18"BD
10"x8"TT
12"x9"TT
14"x14"FT
16"x16"FT
14"x6.5"SD

DSS28LJ

(for Club-JAM MINI kit)
18"x12" BD
12"x5" SD

DSS72S

22"x18" BD
8"x7" TT
10"x8" TT
12"x9" TT
14"x14" FT
16"x16" FT
14"x6.5" SD

DSS48S

18"x14" BD
12"x9" TT
14"x14" FT
14"x6.5" SD



picture: DSS52K



picture: TDSS52K

Navy Blue (NB)

STANDARD SERIES DRUM BAG SET FOR CLUB-JAM PANCAKE



DSS48LJP

Size: 18"x12" (for 18" x 4"BD, 10" x 3.5"TT, 13" x 3.5"FT, 12" x 4"SD)

- Inner bag and protection pads for 10" x 3.5"TT, 13" x 3.5"FT, 12" x 4"SD included
- 20mm thick cushion
- Ergonomic rubber handle
- Carrying strap with shoulder pad for bass drum bag

STANDARD SERIES HARDWARE BAG



SBH01

(for Compact / Lightweight Hardware)
670 (L) x 180 (W) x 190 (H) mm

- 600 denier high density water resister surface
- Water resistant nylon with 10mm thick cushion
- Carrying strap with shoulder pads

STANDARD SERIES SNARE BAG



SBS14

14"x6.5" Snare Drum

- 600 denier high density water resister surface
- Water resistant nylon with 10mm thick cushion
- Ergonomic rubber handles
- Carrying strap with shoulder pads

STANDARD SERIES MICROPHONE STAND BAG



SBM01

Stores up to 6 pcs of Microphone Stands or 2pcs of Speaker Stands
1200 (L) x 220 (W) x 200 (H) mm

- 600 denier high density water resister surface
- Water resistant nylon with 10mm thick cushion
- Carrying strap with shoulder pad

ACCESSORIES

We offer many unique accessories to enhance your playing, set up, and tone of the drums.

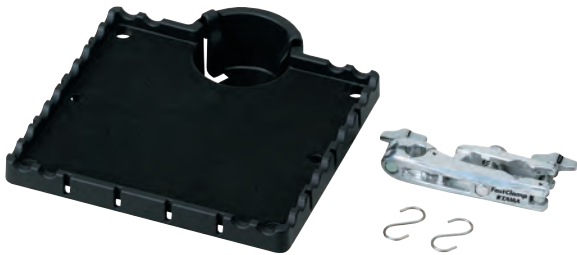
For more Information:



ACCESSORY TRAY

TAT10

- Tray size (inside dimension): 235mm x 254mm (9 1/4" x 10")
- Drink holder: up to diameter 90mm (3 1/2")
- Includes MC61 FastClamp for connecting stands with pipes from 15.9mm to 28.6mm in diameter.
- Includes 2- S-Hooks for hanging bags
- Rims can hold up to 16mm (0.63") diameter drum sticks
- Mounted 5/8" nut for straight mic stand on bottom of the tray
- Weight capacity: 2.5kg (5.5lbs)



DRUM STICK HOLDER

STH10

The STH10 Stick Holder is designed to hold spare sticks and can be attached to hardware anywhere on the drum kit.

- Size: 280mm(L) x 60mm(W) x 90mm(H)
(11 1/32" x 2 11/32" x 3 17/32")
- Storing 2 pairs of drumsticks
- The attachment for connecting stands with pipes from 15.9mm to 28.6mm in diameter.



RHYTHM WATCH

RW200

Tempo Range: 30-250 BPM
 Tempo, Beat & Sound Memory: 30 Songs
 Beats: 0-9
 Display: LCD with BACK LIGHT
 Size: 127 x 35 x 150mm (5" x 1.4" x 6")
 Weight: 285g including battery
 Power Supply: 9V Battery (S-006P) or
 DC9V 200mA adapter



RHYTHM WATCH MINI

RW30

Tempo Range: 30-250 BPM
 Beats: 0-9
 Display: LCD display with BACK LIGHT
 Size: 61 x 25 x 118mm (2 1/2" x 1" x 4 5/8")
 Weight: 90g including battery
 Power Supply: 2 x AAA Batteries (3V)



TENSION WATCH



TW200

The TW200 TAMA Tension Watch is very compact and is equipped with an easy-to-read dial. It comes with a detachable nylon bumper to ensure consistent measuring distance from the hoop, resulting in an evenly tensioned drum for the best sound.

TENSION WATCH



TW100

The TW100 measures actual head tension and features an easy-to-read meter, so you can record the numbers and duplicate your best tuning time after time. You can also use the sample tunings suggested in the directions.

WOOD HOOP PROTECTOR



WHP2

(2pcs / set)
 Special adhesive pieces protect your wood hoop from being scratched by preventing the bass drum pedal from twisting or slipping.

GRIP WRAP



TGW10BK

(2pcs / set)
 TAMA's Grip Wrap is designed to provide the player with a comfortable, non-slip surface for their drumsticks.

- Non-Slip Surface
- Soft and Comfortable Feel
- Highly Durable Material Made in Japan

RHYTHM WATCH HOLDER



RWH10

Holder for RW200

DRUMMER'S GLOVE



TDG10BK

Drummer's Glove with featuring extra soft and durable synthetic leather which prevents any slipping while playing even with wet condition caused by sweating.

TDG10BKM (Medium)
 TDG10BKL (Large)
 TDG10BKXL (Extra Large)

MULTI TOOL



TMT9

Quick access multi tool for drums
 -Hex Wrench 5.0mm/4.0mm/3.0mm/2.5mm/2.0mm, Keychain Link, Hex Nut Driver, Phillips Screwdriver, Drum Keys (x2)

TAMA STICKER



TAMA Logo Sticker White
 TLS120WH 60mm x 280mm
 TLS100WH 50mm x 230mm
 TLS80WH 40mm x 190mm
 TLS70WH 35mm x 150mm



TAMA Logo Sticker Black
 TLS120BK 60mm x 280mm
 TLS100BK 50mm x 230mm
 TLS80BK 40mm x 190mm
 TLS70BK 35mm x 150mm

TENSION LOCK



TTL10

(10pcs/set)
 The Tension Lock prevents tension bolts from loosening while playing by simply set it on the tension bolt head. You can tune the drum without having to detach the Tension Lock, thanks to an elastic O-ring around its hole.

DRUM RUG -TAMA Logo Pattern / Small-

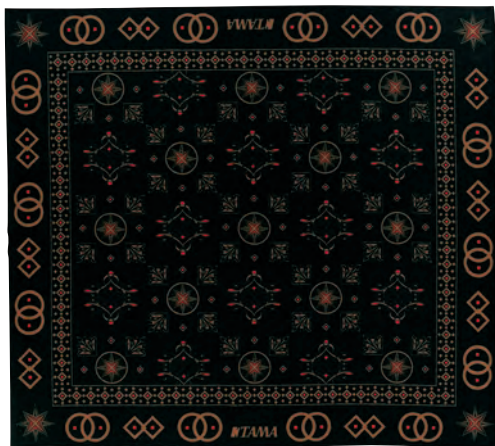


TDRS-TL

1,680mm x 1,330mm
 (66 1/8" x 52 3/8")
 -Non-slip design helps keep drums & hardware in place
 -Fits to accommodate compact drum set
 -Hook and loop fasteners for easy transport



DRUM RUG -Oriental Pattern-



TDR-OR

1800mm x 2000mm
 (70 7/8" x 78 3/4")
 -Non-slip design helps keep drums & hardware in place
 -Extra-large size accommodates most drum setups
 -Hook and loop fasteners for easy transport

DRUM RUG -Southwestern Pattern-



TDR-SW

1800mm x 2000mm
 (70 7/8" x 78 3/4")
 -Non-slip design helps keep drums & hardware in place
 -Extra-large size accommodates most drum setups
 -Hook and loop fasteners for easy transport

DRUM RUG -Paisley Pattern-



TDR-PA

1800mm x 2000mm
 (70 7/8" x 78 3/4")
 -Non-slip design helps keep drums & hardware in place
 -Extra-large size accommodates most drum setups
 -Hook and loop fasteners for easy transport

DRUM RUG -TAMA Logo Pattern-



TDR-TL

1800mm x 2000mm
 (70 7/8" x 78 3/4")
 -Non-slip design helps keep drums & hardware in place
 -Extra-large size accommodates most drum setups
 -Hook and loop fasteners for easy transport

BASS DRUM RESO HEADS



REMO FIBERSKYN POWERSTROKE 3 DIPLOMAT

(TAMA Logo)
RF18BMST (18")
RF20BMST (20")
RF22BMST (22")
RF24BMST (24")
RF26BMST (26")

WHITE COATED

(TAMA & Starclassic Logo)
CT18BMOT (18")
CT20BMOT (20")
CT22BMOT (22")
CT24BMOT (24")
CT26BMOT (26")

FIBER LAMINATED

(TAMA & Starclassic Logo)
FB18BMFS (18")
FB20BMFS (20")
FB22BMFS (22")
FB24BMFS (24")

SMOOTH WHITE

(TAMA & Starclassic Logo)
SW20BMTT (20")
SW22BMTT (22")
SW24BMTT (24")

WHITE COATED

(TAMA Logo)
CT18BMSV (18")
CT20BMSV (20")
CT22BMSV (22")
CT24BMSV (24")

BLACK

(TAMA & Starclassic Logo)
BK18BMTT (18")
BK20BMTT (20")
BK22BMTT (22")
BK24BMTT (24")
BK26BMTT (26")

BLACK

(TAMA Logo)
BK20BMWS (20")
BK22BMWS (22")
BK24BMWS (24")

DRUM KEYS



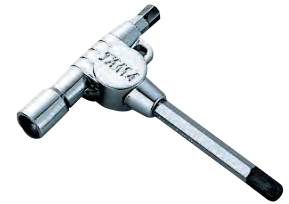
TDK10
Chrome



TDK10BN
Black Nickel



TDK05



DH7

SNARE HOOPS



DIE-CAST

TAMA's die-cast hoops deliver an incredibly sharp, solid rim shot that cannot be found in any other hoop.
MDH14-8 (14" 8 hole batter side)
MDH14S-8 (14" 8 hole snare side)
MDH14-10 (14" 10 hole batter side)
MDH14S-10 (14" 10 hole snare side)



2.3 MM BRASS MIGHTY

Brass Mighty Hoop provides a warm and open sound with mild attack and long sustain.

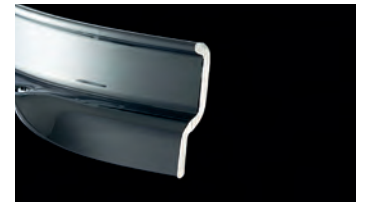
MFB14-10N (14" 10 hole batter side)
MFB14S-10N (14" 10 hole snare side)



2.3 MM STEEL MIGHTY

Steel Mighty Hoop provides a bright and open sound.

MFM14-8 (14" 8 hole batter side)
MFM14S-8 (14" 8 hole snare side)
MFM14-10 (14" 10 hole batter side)
MFM14S-10 (14" 10 hole snare side)



3.0MM ULTIMATE STEEL MIGHTY

3.0mm thick Ultimate Steel Mighty Hoop provides extra power and volume.

MUS1410 (14" 10 hole batter side)
MUS14S10 (14" 10 hole snare side)



2.3MM SOUND ARC

Steel Sound Arc Hoop enhances the natural tone of the snare drum and offers sensitivity, precise tuning, and control.

MSH1410 (14" 10 hole batter side)
MSH14S10 (14" 10 hole snare side)



MAPLE WOOD HOOPS

Wood Hoop provides a warm, woody sound with soft attack. Can be mounted on a standard 14" snare drum stand.

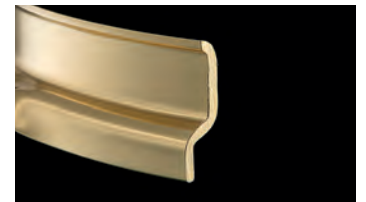
WMH1408B (14" 8 hole batter side)
WMH1408S (14" 8 hole snare side)
WMH1410B (14" 10 hole batter side)



2.3MM BRASS SOUND ARC

Brass Sound Arc Hoop provides an open sound with rich harmonic overtones, made of brass with an inward curved shape.

MSB148D (14" 8 hole batter side)
MSB14S8D (14" 8 hole snare side)



CUSTOMIZED BRASS MIGHTY

Customized Brass Mighty Hoop provides a sharper and brighter attack with rich harmonic overtones, made of brass with a slightly shaved down edge.

MSP14-8 (14" 8 hole batter side)
MSP14S-8 (14" 8 hole snare side)

SNARE WIRES



SUPER SENSITIVE HI-CARBON

Super Sensitive Hi-Carbon Snare Wire fits more closely to the snare side head, providing greater sensitivity and brighter, crisper sound.

MS20RL13C (13" 20 strands Hi-Carbon Steel)
MS20RL14C (14" 20 strands Hi-Carbon Steel)



STAINLESS STEEL STRAIGHT

20 strands steel straight wire for concert. Extra short sustain, dark and crisp.

MS20M14ST (14" 20 strands Steel)



STARCLASSIC -CARBON STEEL-

MS20SN10S (10" 20 strands Carbon Steel)
MS20SN12S (12" 20 strands Carbon Steel)
MS20SN13S (13" 20 strands Carbon Steel)
MS20SN14S (14" 20 strands Carbon Steel)



STARCLASSIC -BELL BRASS-

The MS20SN14B features bell brass strands for greater sensitivity.

MS20SN14B (14" 20 strands Bell Brass)



STARCLASSIC -HI-CARBON STEEL-

MS20SN13C (13" 20 strands Hi-Carbon Steel)
MS20SN14C (14" 20 strands Hi-Carbon Steel)



REGULAR SNARE WIRES -CARBON STEEL-

MS12R14S (14" 12 strands Carbon Steel)



REGULAR SNARE WIRES -CARBON STEEL-

MS20R14S 14" 20 strands Carbon Steel



REGULAR SNARE WIRES -CARBON STEEL-

MS30R14S (14" 30 strands Carbon Steel)



REGULAR SNARE WIRES -CARBON STEEL-

MS42R14S (14" 42 strands Carbon Steel)



REGULAR SNARE WIRES -HI-CARBON STEEL-

MS42R14C (14" 42 strands Hi-Carbon Steel)



SUPER SENSITIVE HI-CARBON SNARE WIRE FOR CONCERT

MS20L14C8 (14" 20 strands Hi-Carbon)

SNARE WIRE STRINGS & STRAPS



SPC50P4

(2prs/pack)

The amazingly durable and flexible snare wire string is made of Dupont Kevlar® cable wrapped in polyester fiber for an even higher tensile strength than steel wire. (Kevlar® is a registered trademark of Dupont® Corporation.)



MST20

(2pcs/set)

These flexible yet durable 15mm wide nylon snare wire straps are featured on most of TAMA snare drums.

METAL WASHERS



MW620

(20pcs/set)
Standard metal tension bolt washers.

HOLD TIGHT™ WASHERS



SRW620P

(20pcs/set)
The rubber rings inside of the cup-shaped stainless steel washers absorb impact vibrations and keep the hoop and tension bolts in constant contact to prevent from loosening of tension.

PLASTIC WASHERS



PW620

(20pcs/set)
2.5mm thick nylon washers decrease noise and make tuning easier and more stable.

BEATERS



Featuring black felt and a slightly tapered shape, this traditional style beater provides impact to the bass drum head surface evenly to maximize clear, dynamic articulation.

BDY30FB

DYNA BEATER



POWER-STRIKE COBRA BEATER

CB900PS - Felt



ACCU-STRIKE COBRA BEATER

CB900AS - Rubber



COBRA BEATER -FELT-

CB90F - Felt



COBRA BEATER -RUBBER-

CB90R - Rubber



COBRA BEATER -WOOD-

CB90W - Wood



TRADITIONAL - WOOD-

TTB30W - Wood



TRADITIONAL -FELT-

TTB30F - Felt



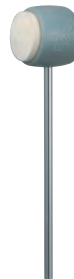
THE CLASSIC -FELT-

CLB30F - Felt



DUAL SIDED -FELT-

DS30 - Felt-Plastic



DUAL SIDED -FELT-

DS30G - Felt-Plastic



DUAL SIDED -RUBBER-

DS30R - Rubber - Plastic

ACCU-STRIKE COBRA BEATER HEAD



CB900ASH

Rubber

COBRA BEATER HEAD -Wood-



CB90WH

Wood

COBRA BEATER HEAD -Felt-

CB90FH

Felt



POWER-STRIKE COBRA BEATER HEAD



CB900PSH

Felt

COBRA BEATER HEAD -Rubber-



CB90RH

Rubber

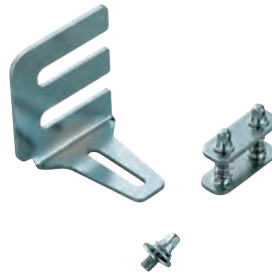
COBRA COIL



CC900S

The Cobra Coil is a steel spring which assists in the return of the footboard to its original position. It be adjusted to different positions, forward or backward, on the base plate.

TWIN PEDAL ATTACHMENT



TPA90

Specially designed attachment to connect Speed Cobra and Iron Cobra 900 series pedals with Speed Cobra and Iron Cobra 900 series Hi-hat stands.

TOE STOPPER



HP900-81

BEATER BALANCER



BC7

TIGHT LOCK



TLK5

SPRING FOR SPEED COBRA



HP910-7S

SPRING -Regular-



HP900-7R

SPRING -Heavy-



HP900-7H

DYNA-SYNC PEDAL CASE -SINGLE-



PCDS1

PCDS1 (for Dyna-Sync Single Pedal)

IRON COBRA PEDAL CASE -SINGLE-



PC900S

PC900S (for Iron Cobra Single Pedal)

SPEED COBRA PEDAL CASE -SINGLE-



PC910S

PC910S (for Speed Cobra Single Pedal)

DYNA-SYNC PEDAL CASE -TWIN-



PCDS1TW

PCDS1TW (for Dyna-Sync Twin Pedal)

IRON COBRA PEDAL CASE -TWIN-



PC900TW

PC900TW (for Iron Cobra Twin Pedal)

SPEED COBRA PEDAL CASE -TWIN-



PC910TW

PC910TW (for Speed Cobra Twin Pedal)

1ST CHAIR ROUND RIDER XL SEAT -Cloth Top-



HTS8BC

You can improve your existing throne with the firm support and comfort of 1st Chair seats (fits pipes from 19.1mm to 25.4mm in diameter).

1ST CHAIR ROUND RIDER XL SEAT



HTS8B

You can improve your existing throne with the firm support and comfort of 1st Chair seats (fits pipes from 19.1mm to 25.4mm in diameter).

1ST CHAIR ROUND RIDER XL SEAT -Red-



HTS8R

You can improve your existing throne with the firm support and comfort of 1st Chair seats (fits pipes from 19.1mm to 25.4mm in diameter).

1ST CHAIR ERGO-RIDER SEAT -Cloth Top-



HTS7BC

You can improve your existing throne with the firm support and comfort of 1st Chair seats (fits pipes from 19.1mm to 25.4mm in diameter).

1ST CHAIR ERGO-RIDER SEAT



HTS7B

You can improve your existing throne with the firm support and comfort of 1st Chair seats (fits pipes from 19.1mm to 25.4mm in diameter).

1ST CHAIR GLIDE RIDER SEAT -Cloth Top-



HTS5BCN

You can improve your existing throne with the firm support and comfort of 1st Chair seats (fits pipes from 19.1mm to 25.4mm in diameter).

1ST CHAIR WIDE RIDER SEAT -Cloth Top-



HTS5BC

You can improve your existing throne with the firm support and comfort of 1st Chair seats (fits pipes from 19.1mm to 25.4mm in diameter).

1ST CHAIR WIDE RIDER SEAT



HTS5B

You can improve your existing throne with the firm support and comfort of 1st Chair seats (fits pipes from 19.1mm to 25.4mm in diameter).

1ST CHAIR ROUND RIDER SEAT -Cloth Top-



HTS4BC

You can improve your existing throne with the firm support and comfort of 1st Chair seats (fits pipes from 19.1mm to 25.4mm in diameter).

1ST CHAIR ROUND RIDER SEAT



HTS4B

You can improve your existing throne with the firm support and comfort of 1st Chair seats (fits pipes from 19.1mm to 25.4mm in diameter).

1ST CHAIR THRONE BASE -HYDRAULIX-



HSB5N

*Seat holder included.

You can improve your existing throne or seat by changing the legs to one of the 1st Chair individual throne bases. The Hydraulix throne base comes with a seat holder with an adjustment lever.

1ST CHAIR THRONE BASE -Quartet-



HSB4N

You can improve your existing throne or seat by changing the legs to one of the 1st Chair individual throne bases. (diameter of upper rods: 22.2mm).

1ST CHAIR THRONE BASE -Trio-



HSB3N

You can improve your existing throne or seat by changing the legs to one of the 1st Chair individual throne bases. (diameter of upper rods: 22.2mm).

1ST CHAIR THRONE BASE -Trio-



HSB3

for Round Rider Series

You can improve your existing throne or seat by changing the legs to one of the 1st Chair individual throne bases. (diameter of upper rods: 22.2mm).

1ST CHAIR BACKREST ATTACHMENT



HTB5B

for any 1st Chair thrones

Sitting on a throne for a long period of time is tough on your back. The HTB5B can be adjusted up and down AND forward AND it can be detached from the seat when the gig is done. Slick!

MEMORY LOCKS



ML11

for 10.5mm diameter L-rod



ML12

for 10.5-12mm diameter boom arm



ML191C

for 19.1mm diameter pipe



ML191N

for 19.1mm diameter pipe



ML222C

for 22.2mm diameter pipe



ML222NT

for 22.2mm diameter pipe



ML254TC

for 25.4mm diameter pipe



ML254C

for 25.4mm diameter pipe



ML28C

for 28.6mm diameter pipe

QUICK-SET CYMBAL MATE



QC8
(M8)

QUICK-SET CYMBAL MATE (4pcs/set)



QC8-B4
(M8: 4pcs/pack)

CYMBAL MATE



CM8P
(M8: 2pcs/pack)

RING-TRUE FELT for STAR Hardware



RTF35P
(2pcs/pack)

FELT WASHER



7081P
(2pcs/pack)

HI-HAT CLUTCH FELT WASHERS



CL08-13P
(2pcs/pack)

REVERSIBLE CYMBAL BOTTOM



RB8P
(M8: 2pcs/pack)

STAR HARDWARE CYMBAL BOTTOM



CB8P
(M8: 2pcs/pack)

CYMBAL PROTECTION SLEEVE



CPS8P
(M8: 2pcs/pack)

HAT STACK



CSH5

- Easily attach a small cymbal to hi-hat rod measuring up to 7mm in diameter
- Compact size and lightweight for easy transport and storage - 25mm (1") diameter x 40mm (1.5") height
- Ability to adjust cymbal sustain

SIZZLE TOUCH DROP CLUTCH



STDC7

- TAMA's Sizzle Touch Drop Clutch allows you to adjust the gap between the top and bottom cymbals, allowing for fine adjustments to achieve the desired open sound.

QUICK-SET HI-HAT CLUTCH



QHC7

- With just one touch, the Quick-Set Clutch can be attached or removed - simply push the button on the side of the clutch. (Fits 7mm or smaller diameter pull rod)

SWING LOCK CLUTCH



SLC08

- This allows the top hi-hat cymbal to float more freely, maximizing the natural resonance of the cymbals. (Fits 6.3mm diameter pull rod)

SECURITY CLUTCH



CL08

- Having your hi-hat clutch come loose is now a thing of the past with TAMA's Security Clutch. When the T-bolt is tightened, bottom lock nut and top section press on the rod for complete security. (Fits 6.3mm diameter pull rod)

HI-HAT TENSION RODS



HH905-3 HH905D3S

Tension Rod with Plastic Nut (M6)

- HH905-3 (Long / 500mm (19 11/16"))
- HH905D3S (Short / 350mm (13 3/4"))

REMOTE HI-HAT STAND CABLE

HH905RH2L HH905RH2S

Exchangeable Cable for HH905RH

- HH905RH2L (Long / 2,300mm (90 1/2"))
- HH905RH2S (Short / 1,200mm (47 1/4"))

SOUND FOCUS PAD -for Cocktail-JAM- / Cocktail-JAM Mini



SFP530

Bass Drum Mute for Cocktail-JAM kits



PHILIPP KLINGER | HEAVYSAURUS, THE NEW BLACK, SIXMIXSIX

QUICK-LOCK TOM BRACKET



MQMP-TCH

- (for tom tom/Chrome)
- Quick and easy setup in position
- Enhanced resonance with rubber lining



MQMP-TBN

- (for tom tom/Black Nickel)
- Quick and easy setup in position
- Enhanced resonance with rubber lining



MQMP-FCH

- (for floor tom/Chrome)
- Quick and easy setup in position
- Enhanced resonance with rubber lining



MQMP-FBN

- (for floor tom/Black Nickel)
- Quick and easy setup in position
- Enhanced resonance with rubber lining

TAMA LOGO PULLOVER HOODIE



TAMP001

Available size: S/M/L/XL/XXL

TAMP001S
TAMP001M
TAMP001L
TAMP001XL
TAMP001XXL

TAMA ACCESSORY BOWL



TBWL001

MADE IN JAPAN

-Diameter: 160mm
-Material: Stoneware

TAMA "T" LOGO LONG SLEEVED T-SHIRT BLACK



TAML001

Available size: S/M/L/XL/XXL

TAML001S
TAML001M
TAML001L
TAML001XL
TAML001XXL

TAMA LOGO TOWEL BLACK



TTWL001

MADE IN JAPAN

-Length: 200 mm
-Width: 1,100 mm
-Material: Cotton

TAMA BLACKLOGO T-SHIRT BLACK



TAMT007

Available size: S/M/L/XL/XXL

TAMT007S
TAMT007M
TAMT007L
TAMT007XL
TAMT007XXL

TAMA LOGO LANYARD



TNKS001

-Length: 500 mm
-Width: 15 mm
-Safety breakaway release
-Material: Polyester

TAMA MUG

TAMM002

-Size: 72mm (D) x 90mm (H)
(2 3/4" x 3 1/2")
-Material: Stoneware



TAMA WATER BOTTLE



TAMB001

Capacity: 500ml / 16.9oz
-Materials: Tritan (Bottle) / Polypropylene (Lid)
- Upper temperature tolerance: 100°C / 212°F
- Lower temperature tolerance: -10°C / 14°F
- BPA Free

MERCHANDISE



TCT10SD

-TAMA Snare drum shaped coaster set
-4pcs/pack



TAMA Logo Sticker White
 TLS120WH 60mm x 280mm
 TLS100WH 50mm x 230mm
 TLS80WH 40mm x 190mm
 TLS70WH 35mm x 150mm



TAMA Logo Sticker Black
 TLS120BK 60mm x 280mm
 TLS100BK 50mm x 230mm
 TLS80BK 40mm x 190mm
 TLS70BK 35mm x 150mm



TSM01

Sonic Mute
 (2pcs/set)
 Removable, reusable & reliable mute patch.
 Adjustable for optimum precision and control.
 (Wash lightly to restore adhesion).



TAMT004

Available size: S/M/L/XL/XXL

TAMT004S
 TAMT004M
 TAMT004L
 TAMT004XL
 TAMT004XXL



TAMT006

Available size: S/M/L/XL/XXL

TAMT006S
 TAMT006M
 TAMT006L
 TAMT006XL
 TAMT006XXL

TOPN001

TAMA Bottle Opener

NEW



TMPIN001

-Length: 10.5 mm
 -Width: 38 mm
 -Height: 10mm
 -Material: Nickel Plated Brass

NEW



DRUM STICKS

MADE IN JAPAN

TAMA drum sticks are molded under strict quality control standards from carefully selected wood materials and are renowned for their consistent high quality.

For more information:



ORIGINAL SERIES STICK -Japanese Oak-



TAMA-0213B

Diameter: 7A, 13mm (0.510")
Length: 406mm (16")
Tip Style: Ball

TAMA-0214B

Diameter: 5A, 14mm (0.550")
Length: 406mm (16")
Tip Style: Ball

TAMA-0215B

Diameter: 5B, 15mm (0.590")
Length: 406mm (16")
Tip Style: Ball

TAMA-0216B

Diameter: 2B, 16mm (0.630")
Length: 406mm (16")
Tip Style: Ball



TAMA-0213P

Diameter: 7A, 13mm (0.510")
Length: 406mm (16")
Tip Style: Popular

TAMA-0214P

Diameter: 5A, 14mm (0.550")
Length: 406mm (16")
Tip Style: Popular

TAMA-0215P

Diameter: 5B, 15mm (0.590")
Length: 406mm (16")
Tip Style: Popular



TAMA-0214S

Diameter: 5A, 14mm (0.550")
Length: 406mm (16")
Tip Style: Small

TAMA-0215S

Diameter: 5B, 15mm (0.590")
Length: 406mm (16")
Tip Style: Small

TRADITIONAL SERIES STICK -JAPANESE OAK-



TAMA-07AW

Diameter: 7A, 13mm (0.510")
Length: 390mm (15 3/8")
Tip Style: 7A



TAMA-07AN

Diameter: 7A, 13mm (0.510")
Length: 390mm (15 3/8")
Tip Style: 7A (Nylon)



TAMA-05AW

Diameter: 5A, 14mm (0.550")
Length: 406mm (16")
Tip Style: 5A



TAMA-05AN

Diameter: 5A, 14mm (0.550")
Length: 406mm (16")
Tip Style: 5A (Nylon)



TAMA-08AW

Diameter: 8A, 14mm (0.550")
Length: 406mm (16")
Tip Style: 8A



TAMA-05BW

Diameter: 5B, 15mm (0.590")
Length: 406mm (16")
Tip Style: 5B



TAMA-05BN

Diameter: 5B, 15mm (0.590")
Length: 406mm (16")
Tip Style: 5B (Nylon)



OLI RUBOW | HATTLER, DEPHAZZ, NETZER, SESSION

TRADITIONAL SERIES STICK -American Hickory-



TAMA-H7AW

Diameter: 7A, 13mm (0.510")
Length: 390mm (15 3/8")
Tip Style: 7A



TAMA-H5AW

Diameter: 5A, 14mm (0.550")
Length: 406mm (16")
Tip Style: 5A



TAMA-H8AW

Diameter: 8A, 14mm (0.550")
Length: 406mm (16")
Tip Style: 8A



TAMA-H5BW

Diameter: 5B, 15mm (0.590")
Length: 406mm (16")
Tip Style: 5B

OAK LAB SERIES -Smash-



OL-SM

- SMASH -
Weight and balance for huge power.

Diameter: 5B, 15mm (0.590")
Length: 419mm (16 1/2")
Tip Style: Acorn



OL-RE

-RESONATOR -
Heavy for rich tones. Quick rebound.

Diameter: 5B, 15.25mm (0.600")
Length: 410mm (16 5/32")
Tip Style: Arrow



OL-FA

- FAST BLAST -
(Natural / Uncoated)
Modified 5A for more speed. Large tip and Oak enhances volume.

Diameter: 5A, 14mm (0.550")
Length: 406mm (16")
Tip Style: Large Ball



OL-SW

- SWINGIN' -
Oak provides a bright cymbal tone and enhanced cross stick sound.

Diameter: 7A, 12.75mm (0.500")
Length: 403mm (15 7/8")
Tip Style: Oval



OL-FU

- FULL BALANCE -
Weighted for accuracy and control.

Diameter: 5A, 14.5mm (0.570")
Length: 406mm (16")
Tip Style: True Round

SUEDE-GRIP DRUM STICKS -Japanese Oak-

Suede-Grip drum sticks are coated with a special non-slip, slightly flexible paint.

MADE IN JAPAN



TAMA-O-5A-SG

(SUEDE-GRIP Finish)

Diameter : 5A, 14mm (0.550")
Length : 406mm (16")
Tip Style : 5A



TAMA-O-5B-SG

(SUEDE-GRIP Finish)

Diameter : 5B, 15mm (0.590")
Length : 406mm (16")
Tip Style : 5B

REDZONE -Japanese Oak-



TAMA-O5ARZ

(Silver Logo)

Diameter: 5A, 14mm (0.550")
Length: 419mm (16 1/2")
Tip Style: 5A (Nylon)

TAMA-O5BRZ

(Silver Logo)

Diameter: 5B, 15mm (0.590")
Length: 419mm (16 1/2")
Tip Style: 5B (Nylon)

RHYTHMIC FIRE -Japanese Oak-



TAMA-07A-F

(Natural)

Diameter: 7A, 13mm (0.510")
Length: 390mm (15 3/8")
Tip Style: 7A

TAMA-05A-F

(Natural)

Diameter: 5A, 14mm (0.550")
Length: 406mm (16")
Tip Style: 5A

TAMA-05B-F

(Natural)

Diameter: 5B, 15mm (0.590")
Length: 406mm (16")
Tip Style: 5B



TAMA-07A-F-BS

(Black, Silver Pattern)

Diameter: 13mm (0.510")
Length: 390mm (15 3/8")
Tip Style: 7A

TAMA-05A-F-BS

(Black, Silver Pattern)

Diameter: 14mm (0.550")
Length: 406mm (16")
Tip Style: 5A

TAMA-05B-F-BS

(Black, Silver Pattern)

Diameter: 5B, 15mm (0.590")
Length: 406mm (16")
Tip Style: 5B



TAMA-07A-F-BR

(Black, Red Pattern)

Diameter: 7A, 13mm (0.510")
Length: 390mm (15 3/8")
Tip Style: 7A

TAMA-05A-F-BR

(Black, Red Pattern)

Diameter: 5A, 14mm (0.550")
Length: 406mm (16")
Tip Style: 5A

TAMA-05B-F-BR

(Black, Red Pattern)

Diameter: 5B, 15mm (0.590")
Length: 406mm (16")
Tip Style: 5B

STICKS OF DOOM -Japanese Oak-



TAMA-07A-S

(Natural)

Diameter: 7A, 13mm (0.510")
Length: 390mm (15 3/8")
Tip Style: 7A

TAMA-05A-S

(Natural)

Diameter: 5A, 14mm (0.550")
Length: 406mm (16")
Tip Style: 5A

TAMA-05B-S

(Natural)

Diameter: 5B, 15mm (0.590")
Length: 406mm (16")
Tip Style: 5B



TAMA-07A-S-BS

(Black, Silver Pattern)

Diameter: 7A, 13mm (0.510")
Length: 390mm (15 3/8")
Tip Style: 7A

TAMA-05A-S-BS

(Black, Silver Pattern)

Diameter: 5A, 14mm (0.550")
Length: 406mm (16")
Tip Style: 5A

TAMA-05B-S-BS

(Black, Silver Pattern)

Diameter: 5B, 15mm (0.590")
Length: 406mm (16")
Tip Style: 5B

SIGNATURE MODELS

DIRK VERBEUREN MODEL -Japanese Oak-



TAMA-O-DVM2

Dirk Verbeuren (MEGADETH)

Diameter: 16mm (0.630")
Length: 406mm (16")

MARIO DUPLANTIER MODEL -American Hickory-



TAMA-H-MD

Mario Duplantier (Gojira)

Diameter: 16.5mm (0.649")
Length: 432mm (17")

ALEX RUDINGER MODEL -American Hickory-



TAMA-H-RUDI

Alex Rudinger

Diameter: 16mm (0.630")
Length: 416mm (16 3/8")
Non-Slipping Lacquer Finish

ANUP SASTRY MODEL -American Hickory-



TAMA-H-AS

Anup Sastry

Diameter: 16mm (0.630")
Length: 432mm (17")



JOHANNES FRÜCHTENICHT | FUTURE PALACE

MARCHING PERCUSSION

After a long period of planning and experimentation, TAMA Marching Percussion is finally complete. High durability, various unique features for function and comfort, and revolutionary improvements allow total customized playability for everyone.

For more information:



STARLIGHT MARCHING SNARE DRUMS



R1412SL

- Shell : Birch 8ply 8mm
- Hoop : 2.3mm Steel Mighty Hoop
- Number of Lugs : 12 lugs with aluminum tube pipes
- Strainer : Quick touch snare strainer
- Snare Wires : 20-strand Carbon Steel Snappy Snares

Color: Satin Black (SBK)

Lacquer Finish -Satin Black-

Model No.	Size
R1412SL	14"x12" MARCHING SNARE DRUM



Satin Black
SBK

Wrap Finish -Sugar White-

Model No.	Size
R1412SK	14"x12" MARCHING SNARE DRUM



Sugar White
SGW

STARLIGHT MARCHING TENOR DRUMS



R8023TK

- Shell : Birch 8ply 8mm
- Hoop : 1.6mm Steel Triple Flanged Hoop
- Hardware Finish : Chrome hardware finish is standard
- Adjustable Tom Angle (Quad)
- Edge Guard included

Color: Sugar White (SGW)

Lacquer Finish -Satin Black-

Model No.	Size
R8023TL	8"-10"-12"-13" QUAD DRUMS
R802TL	8"-10"-12" TRIO DRUMS
R4TL	14"x11,5" SOLO TENOR DRUM
R0655TLP	5.5"x6" TOM FOR TENOR DRUM



Satin Black
SBK

Wrap Finish -Sugar White-

Model No.	Size
R8023TK	8"-10"-12"-13" QUAD DRUMS
R802TK	8"-10"-12" TRIO DRUMS
R4TK	14"x11,5" SOLO TENOR DRUM
R0655TKP	5.5"x6" TOM FOR TENOR DRUM



Sugar White
SGW

STARLIGHT MARCHING BASS DRUMS



Color: Satin Black (SBK)

R2214BL

- Shell : Birch 7ply 7mm
- Attachment for carrier : Noiseless carrier attachment
- Lug : Die-cast aluminum high-tension lugs with chrome finish
- Number of lugs : 16" - 18" = 8 lugs, 20" - 28" = 10 lugs
- Claw Hook : Designed with superior strength for high-pitch tuning
- Hoop : High-gloss black lacquer finish

Lacquer Finish -Satin Black-

Model No.	Size
R1614BL	16"x14" MARCHING BASS DRUM
R1814BL	18"x14" MARCHING BASS DRUM
R2014BL	20"x14" MARCHING BASS DRUM
R2214BL	22"x14" MARCHING BASS DRUM
R2414BL	24"x14" MARCHING BASS DRUM
R2614BL	26"x14" MARCHING BASS DRUM
R2814BL	28"x14" MARCHING BASS DRUM



Satin Black
SBK

Wrap Finish -Sugar White-

Model No.	Size
R1614BK	16"x14" MARCHING BASS DRUM
R1814BK	18"x14" MARCHING BASS DRUM
R2014BK	20"x14" MARCHING BASS DRUM
R2214BK	22"x14" MARCHING BASS DRUM
R2414BK	24"x14" MARCHING BASS DRUM
R2614BK	26"x14" MARCHING BASS DRUM
R2814BK	28"x14" MARCHING BASS DRUM



Sugar White
SGW

FIELDSTAR MARCHING SNARE DRUMS



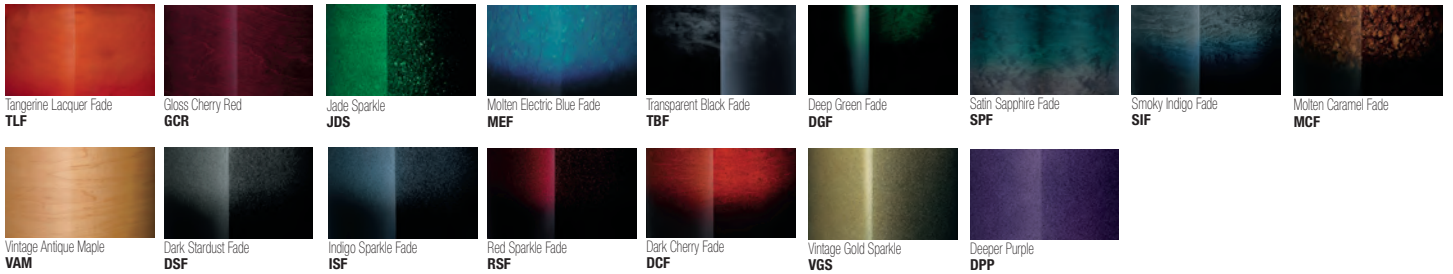
Color: Deeper Purple (DPP)

MS1409L

- Shell Materials : Maple 6ply 5mm
- Number of Lugs : 12 lugs with aluminum tube pipes
- Weight : MS1409 14" x 9" 12.9 lbs (5.9kg)
MS1412 14" x 12" 14.2 lbs (6.5kg)
- Strainer : Low Profile Strainer
- Snare Structure : Less stress with free floating and detachable gut frame
- Tension Rods and Washers : 6 mm strong tension rods with double washers
- Batter Side Edge Ring : Lightweight Magnesium Edge Ring for super high-pitch tuning
- Bottom Side Edge : With reinforcement ring
- Snare Guts : 11 Guts with Detachable Gut Frame
- Snare Mutes : 2 Buzz Killer Mutes included
- Hoops : Aluminum die-cast hoop
- Hardware Finish : Chrome
- Shell Finishes : 17 lacquer finishes & 1 wrap finish
- Stable Position Ring : Allows for easy replacement of the bottom head
- Legs : 2 aluminum legs prevent damage to the bottom hoop

Lacquer Finish -Deeper Purple-

Model No.	Size
MS1409L	14"x9" MARCHING SNARE DRUM
MS1412L	14"x12" MARCHING SNARE DRUM



Color: Satin Black (SBK)

MS1409T

- Shell Materials : Maple 6ply 5mm
- Number of Lugs : 12 lugs with aluminum tube pipes
- Weight : MS1409 14" x 9" 12.9 lbs (5.9kg)
MS1412 14" x 12" 14.2 lbs (6.5kg)
- Strainer : Low Profile Strainer
- Snare Structure : Less stress with free floating and detachable gut frame
- Tension Rods and Washers : 6 mm strong tension rods with double washers
- Batter Side Edge Ring : Lightweight Magnesium Edge Ring for super high-pitch tuning
- Bottom Side Edge : With reinforcement ring
- Snare Guts : 11 Guts with Detachable Gut Frame
- Snare Mutes : 2 Buzz Killer Mutes included
- Hoops : Aluminum die-cast hoop
- Hardware Finish : Chrome
- Shell Finishes : 17 lacquer finishes & 1 wrap finish
- Stable Position Ring : Allows for easy replacement of the bottom head
- Legs : 2 aluminum legs prevent damage to the bottom hoop

Lacquer Finish -Satin Black-

Model No.	Size
MS1409T	14"x9" MARCHING SNARE DRUM
MS1412T	14"x12" MARCHING SNARE DRUM



Satin Black
SBK



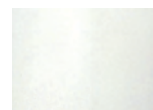
Color: Sugar White (SGW)

MS1409K

- Shell Materials : Maple 6ply 5mm
- Number of Lugs : 12 lugs with aluminum tube pipes
- Weight : MS1409 14" x 9" 12.9 lbs (5.9kg)
MS1412 14" x 12" 14.2 lbs (6.5kg)
- Strainer : Low Profile Strainer
- Snare Structure : Less stress with free floating and detachable gut frame
- Tension Rods and Washers : 6 mm strong tension rods with double washers
- Batter Side Edge Ring : Lightweight Magnesium Edge Ring for super high-pitch tuning
- Bottom Side Edge : With reinforcement ring
- Snare Guts : 11 Guts with Detachable Gut Frame
- Snare Mutes : 2 Buzz Killer Mutes included
- Hoops : Aluminum die-cast hoop
- Hardware Finish : Chrome
- Shell Finishes : 17 lacquer finishes & 1 wrap finish
- Stable Position Ring : Allows for easy replacement of the bottom head
- Legs : 2 aluminum legs prevent damage to the bottom hoop

Wrap Finish -Sugar White-

Model No.	Size
MS1409K	14"x9" MARCHING SNARE DRUM
MS1412K	14"x12" MARCHING SNARE DRUM



Sugar White
SGW

FIELDSTAR RUDIMENT MARCHING TENOR DRUMS



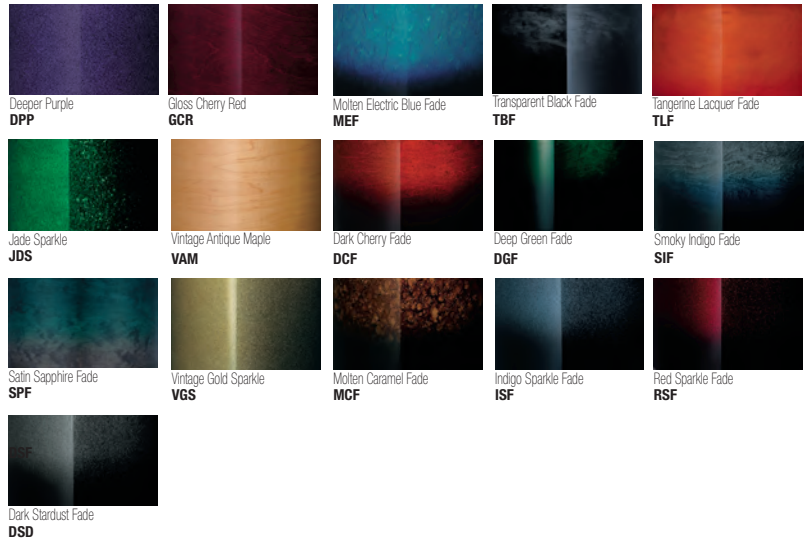
Color: Satin Black (SBK)

MD680234T

- Shell Materials : Maple 6ply 5mm with reinforcement rings on batter side
- Shell Depth :
- Spock 6"x5.5", 6"x7", 8"x7"
- Standard Toms 8"x7.5", 10"x8", 12"x9.5", 13"x11", 14x11.5" with Power Cut
- Corps Depth Toms: 10"x9.5", 12"x11", 13"x12.5", 14"x13" with Power Cut
- Lugs : Die-cast aluminum lugs
- Number of Lugs : 6" = 4, 8" = 5, 10" = 6, 12", 13", 14" = 8
- Hoops : 2.3 mm Steel Mighty Hoop
- Edge Guard : Included
- Shell Inside : Clear painted to protect inner shell
- Shell Finishes : 17 lacquer finishes & 1 wrap finish
- Hardware Finish : Chrome

Lacquer Finishes

Model No.	Size
MT8023L	8"-10"-12"-13 SMALL QUAD DRUMS
MT0234L	10"-12"-13"-14" LARGE QUAD DRUMS
MT68023L	6"-8"-10"-12"-13" SMALL QUINT DRUMS
MT60234L	6"-10"-12"-13"-14" LARGE QUINT DRUMS
MD60234L	6"-10"-12"-13"-14" LARGE QUINT DRUMS (CORP-DEPTH)
MT80234L	8"-10"-12"-13"-14" LARGE QUINT DRUMS
MT668023L	6"-6"-8"-10"-12"-13 SMALL SEXTET DRUMS
MT660234L	6"-6"-10"-12"-13"-14" LARGE SEXTET DRUMS
MD660234L	6"-6"-10"-12"-13"-14" LARGE SEXTET DRUMS (CORP-DEPTH)
MT680234L	6"-8"-10"-12"-13"-14" LARGE SEXTET DRUMS
MD680234L	6"-8"-10"-12"-13"-14" LARGE SEXTET DRUMS (CORP-DEPTH)
MT602L	6"-10"-12" TRIO DRUMS



Lacquer Finish -Satin Black-

Model No.	Size
MT8023T	8"-10"-12"-13 SMALL QUAD DRUMS
MT0234T	10"-12"-13"-14" LARGE QUAD DRUMS
MT68023T	6"-8"-10"-12"-13" SMALL QUINT DRUMS
MT60234T	6"-10"-12"-13"-14" LARGE QUINT DRUMS
MD60234T	6"-10"-12"-13"-14" LARGE QUINT DRUMS (CORP-DEPTH)
MT80234T	8"-10"-12"-13"-14" LARGE QUINT DRUMS
MT668023T	6"-6"-8"-10"-12"-13 SMALL SEXTET DRUMS
MT660234T	6"-6"-10"-12"-13"-14" LARGE SEXTET DRUMS
MD660234T	6"-6"-10"-12"-13"-14" LARGE SEXTET DRUMS (CORP-DEPTH)
MT680234T	6"-8"-10"-12"-13"-14" LARGE SEXTET DRUMS
MD680234T	6"-8"-10"-12"-13"-14" LARGE SEXTET DRUMS (CORP-DEPTH)
MT602T	6"-10"-12" TRIO DRUMS



Wrap Finish -Sugar White-

Model No.	Size
MT8023K	8"-10"-12"-13 SMALL QUAD DRUMS
MT0234K	10"-12"-13"-14" LARGE QUAD DRUMS
MT68023K	6"-8"-10"-12"-13" SMALL QUINT DRUMS
MT60234K	6"-10"-12"-13"-14" LARGE QUINT DRUMS
MD60234K	6"-10"-12"-13"-14" LARGE QUINT DRUMS (CORP-DEPTH)
MT80234K	8"-10"-12"-13"-14" LARGE QUINT DRUMS
MT668023K	6"-6"-8"-10"-12"-13 SMALL SEXTET DRUMS
MT660234K	6"-6"-10"-12"-13"-14" LARGE SEXTET DRUMS
MD660234K	6"-6"-10"-12"-13"-14" LARGE SEXTET DRUMS (CORP-DEPTH)
MT680234K	6"-8"-10"-12"-13"-14" LARGE SEXTET DRUMS
MD680234K	6"-8"-10"-12"-13"-14" LARGE SEXTET DRUMS (CORP-DEPTH)
MT602K	6"-10"-12" TRIO DRUMS



FIELDSTAR FREEDOM MARCHING TENOR DRUMS



Color: Molten Caramel Fade (CMF)

M680234TL

- Shell Materials : Maple 6ply 5mm with reinforcement rings on batter side
- Shell Depth :
- Spock 6"x5.5", 6"x7", 8"x7"
- Standard Toms 8"x7.5", 10"x8", 12"x9.5", 13"x11", 14"x11.5" with Power Cut
- Corps Depth Toms: 10"x9.5", 12"x11", 13"x12.5", 14"x13" with Power Cut
- Lugs : Die-cast aluminum lugs
- Number of Lugs : 6" = 4, 8" = 5, 10" = 6, 12", 13", 14" = 8
- Hoops : 2.3 mm Steel Mighty Hoop
- Edge Guard : Included
- Shell Inside : Clear painted to protect inner shell
- Shell Finishes : 17 lacquer finishes & 1 wrap finish
- Hardware Finish : Chrome

Lacquer Finishes

Model No.	Size
M8023TL	8"-10"-12"-13" QUAD DRUMS
M68023TL	6"-8"-10"-12"-13" QUINT DRUMS
M668023TL	6"-6"-8"-10"-12"-13" SEXTET DRUMS
M0234TL	10"-12"-13"-14" QUAD DRUMS
M60234TL	6"-10"-12"-13"-14" QUINT DRUMS
M60234DL	6"-10"-12"-13"-14" QUINT DRUMS (CORP-DEPTH)
M80234TL	8"-10"-12"-13"-14" QUINT DRUMS
M660234TL	6"-6"-10"-12"-13"-14" SEXTET DRUMS
M660234DL	6"-6"-10"-12"-13"-14" SEXTET DRUMS (CORP-DEPTH)
M680234TL	6"-8"-10"-12"-13"-14" SEXTET DRUMS
M680234DL	6"-8"-10"-12"-13"-14" SEXTET DRUMS (CORP-DEPTH)
M4TL	14"x11.5" SOLO TENOR DRUM



Molten Electric Blue Fade
MEF



Transparent Black Fade
TBF



Deeper Purple
DPP



Gloss Cherry Red
GCR



Tangerine Lacquer Fade
TLF



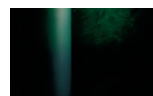
Jade Sparkle
JDS



Vintage Antique Maple
VAM



Dark Cherry Fade
DCF



Deep Green Fade
DGF



Smoky Indigo Fade
SIF



Satin Sapphire Fade
SPF



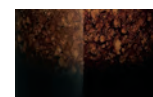
Dark Stardust Fade
DSF



Indigo Sparkle Fade
ISF



Red Sparkle Fade
RSF



Molten Caramel Fade
MCF



Vintage Gold Sparkle
VGS

Lacquer Finish -Satin Black-

Model No.	Size
M8023TT	8"-10"-12"-13" QUAD DRUMS
M68023TT	6"-8"-10"-12"-13" QUINT DRUMS
M668023TT	6"-6"-8"-10"-12"-13" SEXTET DRUMS
M0234TT	10"-12"-13"-14" QUAD DRUMS
M60234TT	6"-10"-12"-13"-14" QUINT DRUMS
M60234DT	6"-10"-12"-13"-14" QUINT DRUMS (CORP-DEPTH)
M80234TT	8"-10"-12"-13"-14" QUINT DRUMS
M660234TT	6"-6"-10"-12"-13"-14" SEXTET DRUMS
M660234DT	6"-6"-10"-12"-13"-14" SEXTET DRUMS (CORP-DEPTH)
M680234TT	6"-8"-10"-12"-13"-14" SEXTET DRUMS
M680234DT	6"-8"-10"-12"-13"-14" SEXTET DRUMS (CORP-DEPTH)
M4TT	14"x11.5" SOLO TENOR DRUM



Satin Black
SBK

Wrap Finish -Sugar White-

Model No.	Size
M8023TK	8"-10"-12"-13" QUAD DRUMS
M68023TK	6"-8"-10"-12"-13" QUINT DRUMS
M668023TK	6"-6"-8"-10"-12"-13" SEXTET DRUMS
M0234TK	10"-12"-13"-14" QUAD DRUMS
M60234TK	6"-10"-12"-13"-14" QUINT DRUMS
M60234DK	6"-10"-12"-13"-14" QUINT DRUMS (CORP-DEPTH)
M80234TK	8"-10"-12"-13"-14" QUINT DRUMS
M660234TK	6"-6"-10"-12"-13"-14" SEXTET DRUMS
M660234DK	6"-6"-10"-12"-13"-14" SEXTET DRUMS (CORP-DEPTH)
M680234TK	6"-8"-10"-12"-13"-14" SEXTET DRUMS
M680234DK	6"-8"-10"-12"-13"-14" SEXTET DRUMS (CORP-DEPTH)
M4TK	14"x11.5" SOLO TENOR DRUM



Sugar White
SGW

FIELDSTAR MARCHING BASS DRUMS



Color: Molten Caramel Burst (MCB)

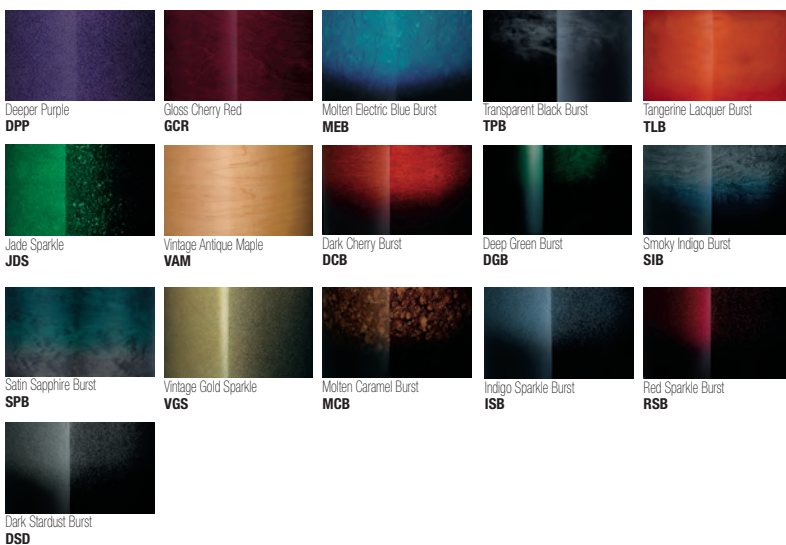
M2214L

- Shell Materials : Maple 8ply 6mm
- Weight :
 - MB1414 14"x14" 14.5lbs (6.6kg)
 - MB1614 16"x14" 15.7lbs (7.1kg)
 - MB1814 18"x14" 16.5lbs (7.5kg)
 - MB2014 20"x14" 19.0lbs (8.6kg)
 - MB2214 22"x14" 20.1lbs (9.1kg)
 - MB2414 24"x14" 21.3lbs (9.7kg)
 - MB2614 26"x14" 22.5lbs (10.2kg)
 - MB2814 28"x14" 23.7lbs (10.8kg)
 - MB3014 30"x14" 24.9lbs (11.3kg)

- Attachment for carrier : Noiseless carrier attachment
- Lugs : Die-cast aluminum high-tension lugs
- Number of lugs : 14" - 18" = 8 lugs, 20" - 28" = 10 lugs, 30" = 12 lugs
- Claw Hooks : Designed with superior strength for high-pitch tuning
- Hoops : High-gloss black lacquer finish
- Shell Finishes : 17 lacquer finishes & 1 wrap finish
- Hardware Finish : Chrome

Lacquer Finishes

Model No.	Size
M1414L	14"x14" MARCHING BASS DRUM
M1614L	16"x14" MARCHING BASS DRUM
M1814L	18"x14" MARCHING BASS DRUM
M2014L	20"x14" MARCHING BASS DRUM
M2214L	22"x14" MARCHING BASS DRUM
M2414L	24"x14" MARCHING BASS DRUM
M2614L	26"x14" MARCHING BASS DRUM
M2814L	28"x14" MARCHING BASS DRUM
M3016L	30"x16" MARCHING BASS DRUM witho drum heads



Lacquer Finishes -Satin Black-

Model No.	Size
M1414T	14"x14" MARCHING BASS DRUM
M1614T	16"x14" MARCHING BASS DRUM
M1814T	18"x14" MARCHING BASS DRUM
M2014T	20"x14" MARCHING BASS DRUM
M2214T	22"x14" MARCHING BASS DRUM
M2414T	24"x14" MARCHING BASS DRUM
M2614T	26"x14" MARCHING BASS DRUM
M2814T	28"x14" MARCHING BASS DRUM
M3016T	30"x16" MARCHING BASS DRUM witho drum heads



Satin Black
SBK

Wrap Finish -Sugar White-

Model No.	Size
M1414K	14"x14" MARCHING BASS DRUM
M1614K	16"x14" MARCHING BASS DRUM
M1814K	18"x14" MARCHING BASS DRUM
M2014K	20"x14" MARCHING BASS DRUM
M2214K	22"x14" MARCHING BASS DRUM
M2414K	24"x14" MARCHING BASS DRUM
M2614K	26"x14" MARCHING BASS DRUM
M2814K	28"x14" MARCHING BASS DRUM
M3016K	30"x16" MARCHING BASS DRUM witho drum heads



Sugar White
SGW

SILVER ARMOR CARRIER FOR SNARE DRUM



CSASDT

- Sliding Height Adjustment
- Safety Lock Mount
- Positioning Bar
- Belly Pad
- Shoulder Pipe Adjustment
- Backrest Adjustment
- Movable Pad

SILVER ARMOR CARRIER FOR TENOR DRUM



CSATNT

- Sliding Height Adjustment
- Safety Lock Mount
- Positioning Bar
- Drum Lift Bumper
- Belly Pad
- Shoulder Pipe Adjustment
- Backrest Adjustment
- Movable Pad

SILVER ARMOR CARRIER FOR BASS DRUM



CSABDT

- Sliding Height Adjustment
- Safety Lock Mount
- Two-way Support Bar
- Belly Pad
- Shoulder Pipe Adjustment
- Backrest Adjustment
- Movable Pad

SILVER ARMOR CARRIER "J-BAR TYPE" FOR SNARE DRUM



CSASDM

- Sliding Height Adjustment
- Belly Pad
- Shoulder Pipe Adjustment
- Backrest Adjustment
- Movable Pad

SILVER ARMOR CARRIER "J-BAR TYPE" FOR TENOR DRUM



CSATNM

- Sliding Height Adjustment
- Drum Lift Bumper
- Belly Pad
- Shoulder Pipe Adjustment
- Backrest Adjustment
- Movable Pad

SILVER ARMOR CARRIER "HOOK TYPE" FOR BASS DRUM



CSABDM

- Sliding Height Adjustment
- Two-way Support Bar
- Belly Pad
- Shoulder Pipe Adjustment
- Backrest Adjustment
- Movable Pad

STARLIGHT CARRIER FOR SNARE DRUM



CRSDT

- Sliding Height Adjustment
- Safety Lock Mount

STARLIGHT CARRIER FOR TENOR DRUM



CRTNT

- Sliding Height Adjustment
- Safety Lock Mount

STARLIGHT CARRIER FOR BASS DRUM



CRBDT

- Sliding Height Adjustment
- Safety Lock Mount
- Two-way Support Bar

SAFETY LOCK MARCHING STAND FOR SNARE DRUM



HMSD79WSN

- Snare Anti-Shake Bumper
- Upside Down Setting
- Safety Lock Mount
- Center of Gravity Position
- Adjustable 2 Front Legs

SAFETY LOCK MARCHING NON STADIUM STAND FOR SNARE DRUM



HMSD79WN

- Snare Anti-Shake Bumper
- Upside Down Setting
- Safety Lock Mount
- Center of Gravity Position

SAFETY LOCK MARCHING STAND FOR BASS DRUM



HMBD79WSN

- Center of Gravity Position
- Adjustable 2 Front Legs

SAFETY LOCK MARCHING STANDS - TENOR STAND



HMTN79WSZ

Stable Set-up System : Safety Lock Mounts, Center of Gravity Positioning, Adjustable 2 front legs (maximum height is 10"), All Safety Lock Marching Marching Stands include a Multi-locking Stadium Seat Clamp. Anti-shake System : Anti-shake support bar Setting support system : Positioning bar.

SAFETY LOCK MARCHING STANDS - TENOR STAND



HMTN79WZ

Stable Set-up System : Safety Lock Mounts, Center of Gravity Positioning, All Safety Lock Marching Marching Stands include a Multi-locking Stadium Seat Clamp. Anti-shake System : Anti-shake support bar Setting support system : Positioning bar.

SAFETY LOCK MARCHING STANDS - BASS STAND



HMBD79WSM

Stable Set-up System : Safety Lock Mounts, Center of Gravity Positioning, Adjustable 2 front legs (maximum height is 10"), All Safety Lock Marching Marching Stands include a Multi-locking Stadium Seat Clamp.

SAFETY LOCK MARCHING STANDS - BASS STAND



HMBD79WSN

Stable Set-up System : Safety Lock Mounts, Center of Gravity Positioning, Adjustable 2 front legs (maximum height is 10"), All Safety Lock Marching Marching Stands include a Multi-locking Stadium Seat Clamp.

SAFETY LOCK MARCHING NON STADIUM STAND FOR BASS DRUM



HMBD79WN

- Center of Gravity Position

MARCHING DRUM PROTECT COVERS FOR BASS DRUM



CVB2224

- CVB1416 (for 14"x16" Bass Drum)
- CVB1820 (for 18"x20" Bass Drum)
- CVB2224 (for 22"x24" Bass Drum)
- CVB2628 (for 26"x28" Bass Drum)

MARCHING DRUM PROTECT COVERS FOR TENOR DRUM



CVTL

CVTL (Large Size)

MARCHING DRUM PROTECT COVERS FOR SNARE DRUM



CVS1412N

CVS1412N (for 12"x14" Snare Drum)

HOOP GRIP & Z-ROD FOR HI-HAT CYMBALS



MC8ZHH

Hoop Grip (MC8) & Z-Rod for Hi-Hat Cymbals (ZHH) bundle package

Z-ROD FOR HI-HAT CYMBALS



ZHH

Z-rod for mounting Hi-Hat cymbals

Details:
- Screw Type Hi-Hat Clutch

SNARE PROJECTER



TPS14W

For 14" Snare Drums

TPS14W (White)
TPS14B2 (Black)
TPS14C (Clear)

BASS DRUM HOOP GUARD



MBRG14

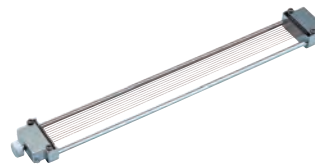
TAMA Hoop Guards can be securely locked to bass drum hoops using the friction of rubber cushions. The rubber cushions protect the hoops from scratches and the Hoop Guards protect the hoops from rim shots.

SNARE MUTE



MSMT

GUT FRAME ASSEMBLY



MGF14BR

TAMA Brown Guts produce a crisp and warm sound. The gut frame can be instantly changed to produce the sound of your choice.

MULTI LOCK CLAMP



MLC79

HARD GUT FRAME ASSEMBLY



MGF14HD

TAMA Yellow Hard Guts are relatively harder than standard guts and produce a crisper and brighter sound. The gut frame can be instantly changed to produce the sound of your choice.

BACK SUPPORT BELT FOR CARRIER



CSABSB

The Back Support Belt gives extra support while reducing back stress. Designed to be used with TAMA Silver Armor Carriers, (sold separately), it can be easily adjusted for different body types and is removable.

BASS DRUM MUFFLE RINGS



MBSP2

(2pcs/set)

TURNING KEY



THDK20

Hi-Tension Tuning Key

TAMA LOGO STICKER -Black / White -



TLS100BK

TLS120BK 60mm x 280mm
TLS100BK 50mm x 230mm
TLS80BK 40mm x 190mm
TLS70BK 35mm x 150mm



TLS100WH

TLS120WH 60mm x 280mm
TLS100WH 50mm x 230mm
TLS80WH 40mm x 190mm
TLS70WH 35mm x 150mm

Bass Drum Mallet/Stick Holder

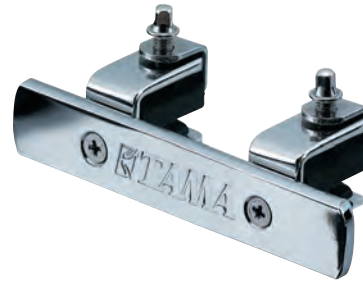


MBMH100

This mallet holder holds the 2 pairs of mallets by secure and easy retaining system. Also attaching this unit to bass drum without any screws tightening



BASS DRUM HOOP GUARD



MBHG100

TAMA Hoop Guards can be securely locked to bass drum hoops. The rubber cushions protect the hoops from scratches and the Hoop Guards protect the hoops from rim shots.



JAN MISCHON | SALTATIO MORTIS



CONCERT TOM SET



CCLT4H

High-Pitched Concert Tom Set
6"x6" Tom Tom, 8"x7" Tom Tom, 10"x8" Tom Tom,
12"x9" Tom Tom

- 100% Maple Shell
- Direct-Flexi Mount

CONCERT TOM SET



CCLT4M

Mid-Pitched Concert Tom Set
10"x8" Tom Tom, 12"x9" Tom Tom,
13"x11" Tom Tom, 14"x12" Tom Tom

- 100% Maple Shell
- Direct-Flexi Mount

CONCERT TOM SET



CCLT4L

Low-Pitched Concert Tom Set
12"x10" Tom Tom, 13"x11" Tom Tom, 14"x12"
Tom Tom, 16"x13" Tom Tom

- 100% Maple Shell
- Direct-Flexi Mount

CONCERT TOM - Single



CCLT6A

6"x6" Tom Tom

CCLT12D

12"x10" Tom Tom

CCLT8A

8"x7" Tom Tom

CCLT13D

13"x11" Tom Tom

CCLT10A

10"x8" Tom Tom

CCLT14D

14"x12" Tom Tom

CCLT12A

12"x9" Tom Tom

CCLT16D

16"x13" Tom Tom

CONCERT TOM SET -SINGLE HEAD-



CSLT4H

High-Pitched Concert Tom Set
6"x6" Tom Tom, 8"x7" Tom Tom,
10"x8" Tom Tom, 12"x9" Tom Tom

- 100% Maple Shell
- Direct-Flexi Mount

[Available Finishes]
-Vintage Antique Maple (VAM)
-Transparent Black Fade (TBF)

Color: Vintage Antique Maple -VAM-

CONCERT TOM SET -SINGLE HEAD-



CSLT4M

Mid-Pitched Concert Tom Set
10"x8" Tom Tom, 12"x9" Tom Tom, 13"x11"
Tom Tom, 14"x12" Tom Tom

- 100% Maple Shell
- Direct-Flexi Mount

[Available Finishes]
-Vintage Antique Maple (VAM)
-Transparent Black Fade (TBF)

Color: Vintage Antique Maple -VAM-

CONCERT TOM SET -SINGLE HEAD-



CSLT4L

Low-Pitched Concert Tom Set
12"x10" Tom Tom, 13"x11" Tom Tom,
14"x12" Tom Tom, 16"x13" Tom Tom

- 100% Maple Shell
- Direct-Flexi Mount

[Available Finishes]
-Vintage Antique Maple (VAM)
-Transparent Black Fade (TBF)

Color: Vintage Antique Maple -VAM-

CONCERT TOM -SINGLE HEAD-



Color: Vintage Antique Maple -VAM-

Also available in:
-Transparent Black Fade (TBF)

CSLT6A

6"x6" Tom Tom

CSLT12D

12"x10" Tom Tom

CSLT8A

8"x7" Tom Tom

CSLT13D

13"x11" Tom Tom

CSLT10A

10"x8" Tom Tom

CSLT14D

14"x12" Tom Tom

CSLT12A

12"x9" Tom Tom

CSLT16D

16"x13" Tom Tom

DOUBLE TOM STAND



HTW839W

- 28.6mm Diameter Base Section Tubing
- Omni-Ball Tom Angle Adjustment
- Stilt System
- Glide-Tite Grip Joint
- Double Braced Legs
- Weight: 5.0kg (11lbs)

CONCERT SNARE STAND - THE CLASSIC STAND



HS50HF

- Flat Base Leg Design
- Classic Style Basket
- Double Braced Arms
- Gearless Tilter
- Weight: 1.9kg (4.2lbs)
- Height Adjustment Range: 630mm-860mm (24 13/16" - 33 7/8")

CONCERT SNARE STAND - ROADPRO



HS80HWN

- For 12" to 15" Diameter Snare Drums
- Quick-Set Tilter
- Swiveling Basket
- Glide-Tite Grip Joint
- Double Braced Legs
- Weight: 3.7kg (8.2lbs)
- Height Adjustment Range: 640mm - 925mm (25 3/16" - 36 3/8")



FABIO DUWENTESTER | MAX RAABE & PALAST ORCHESTER

PERCUSSION TABLE



HTB86LS

- 25.4mm Diameter Base Section Tubing
- Table Size: 600mm width x 450mm length
- Glide-Tite Grip Joint
- Single Braced Legs
- Weight: 5.5kg (12.1lbs)

POWERPAD BAG -Concert Snare Drum-



PBSC146

- For Tama Concert Snare Drum
- Five-Layered Semi-Hard Resin Structure
- 30mm Groove to Securely House Multi Snare Frame



MANY THANKS TO OUR ARTISTS

Adrian Janecek | John Wolfhooker

Adam Marszałkowski | Kshell

Ali Zieme | Die Prinzen

Andi Brüggel | Broilers

Andreas Karall | Edmund, Krawall

Anika Nilles | Anika Nilles & Band

Ansgar Freyberg | The Boss Hoss

Bastian Emig | Van Canto, In Legend

Benjamin Centgraf | Manuel, Gigi Radics

Christian Bass | Heaven Shall Burn

Christian Einheller | Reinhard Fendrich, Annemarie Höller & Mario Berger, Monika Ballwein

Christian Fritz | Nasty

Christin Neddens | NDR Big Band, Independent

Dariusz "Daray" Brzozowski | Dimmu Borgir, Hunter, Vesania

David Diepold | Obscura, Session & Live Drummer

Dávid Hámori | FISH!

Dávid Nagy | Depresszio

Daniel Gerendás | Independent

Dominique Ehlert | Evgeny Ring Quartett, Hot'n'Nasty, Schwarzkaffee, Dark Suns

Fabian Füss | Emil Bulls, Monaco F

Fabio Duwentester | Max Raabe Palast Orchester

Flo Dauner | Die Fantastischen Vier, The Voice of Germany

Florian König | Cro, 9ms

Florian Musil | Agrypnie, Theotoxin, Schammasch (Live), Schirenc Plays Pungent Stench

Florian Speckardt | In Extremo, Faelder

Frank Jooss | Fiddler's Green

Frederic Michel | ClockClock

Frederik Ehmke | Blind Guardian

Gabriel Fröhlich | Folkshilfe

Georg Lenhardt | Die Apokalyptischen Reiter

Gerwin Eisenhauer | TRIO 11, Boomclack

Gustav Schaefer | Tokio Hotel

Hajo Von Hadeln | Zona Sul, SPORT1 Doppelpass TV Band

Hannes Grossmann | Alkaloid, Blotted Science, Triptykon, Eternity's End

Hubert Bründlmayer | Jazz Independent

Jakub Kačić | Independent

Jaroslav Lis | Big Cyc, Czarno Czarni

Jan Mischon | Saltatio Mortis

Jan Pfennig | Stixx On Speed

Jann Hillrichs | Nailed To Obscurity

Janosch Rathmer | Long Distance Calling, Perish

James Stewart | Decapitated

Johannes Scheer | Marathonmann

Johannes Früchtenicht | Future Palace

Jonas Hermann | Jeremias

Jonathan König | Schlagzeugmafia

Jürgen Reil | Kreator

Kai Tschierschky | Beyond The Black

Kerim Lechner | Septicflesh, Session-Drummer

Leon Stiller | Any Given Day

Lukáš Dokšanský | Arakain

Lucas Heiby | Alice Merton

Manuel Hermann | Independent

Mario Stübler | The Weight, Christina Kosik, Engl Mayr Trio

Markus Freiwald | Despair, Bonded

Markus Matzinger | IMPLORE

Máté Török | Magna Cum Laude

Matteo Scrimali | Max Herre, Freundeskreis

Matthias Ambros | Seiler & Speer, Ambros

Max Zimmer | Itchy

Maze Meusel | Session, Live-Drummer für diverse Acts, TV-Shows

Michal Jakubowski | Mentally Blind

Milóš Meier | Dymytry

Oli Rubow | Hattler, DePhazz, Netzer, Session

Oliver Steidle | The Killing Popes, Oliwood, PHILM, ILOG

Patrick Grün | Caliban

Paul Krackowizer | Greeen, Tasheeno

Paul Seidel | The Ocean, Nightmarer, Session Drummer

Paweł "Pavulon" Jaroszewicz | Antigama

Péter Hoffer | Rusza Magdolna

Peter Szendöfi | Loop Doctors

Philipp Klinger | Heavysaurus, The New Black, SIXMIXSIX

Philoméne Tsoungui | The Mars Volta

Ramy Ali | Serious Black

Robert Biesewig | Motrip

Robert Memmler | Bodo Wartke

Robin McMinn | Independent

Rolf Hering | Feuerschwanz

Roman Baumgartner | Independent, Musical

Sascha Madsen | Madsen, Musa Dagh

Sebastian Berg | Kissin' Dynamite

Sebastian Heldt | Neaera

Sebastian Lanser | Obsidious

Simon Gattringer | Johannes Derding, The Mighty Winterscheidts

Simon Popp | 9ms, Fazer, Popp, Independent

Simon Schröder | Cryptex, Dompf!

Stefan Guenther-Martens | ASP, Jazz Freelance

SÜD | Hämatom

Thomas Caser | Visions Of Atlantis

Thomas Fietz | Milky Chance

Tim Noel Cox | LEA

Tobias Schuler | Der Weg einer Freiheit

Tobias Schulte | triosence, Edgar Knecht

Tommy Fischer | Independent

Veronika Mrázová | Independent

Vincent Golly | Pimpy Panda

Will Belgart | Die Orsons

Wolf Simon | Mathias Reim

Wolfram Kellner | J.B.O.

 **TAMA**[®] ©2024 TAMA DRUMS All rights reserved.

 Tama Drums  Tama Official  officialtamadrums  @TAMAofficial

www.tama.com
Actual product colors may not exactly be the same as the one shown on the catalog photos due to lighting and photo resolution.
All specifications are subject to change without notice.

